

## LED ICE LINEAR

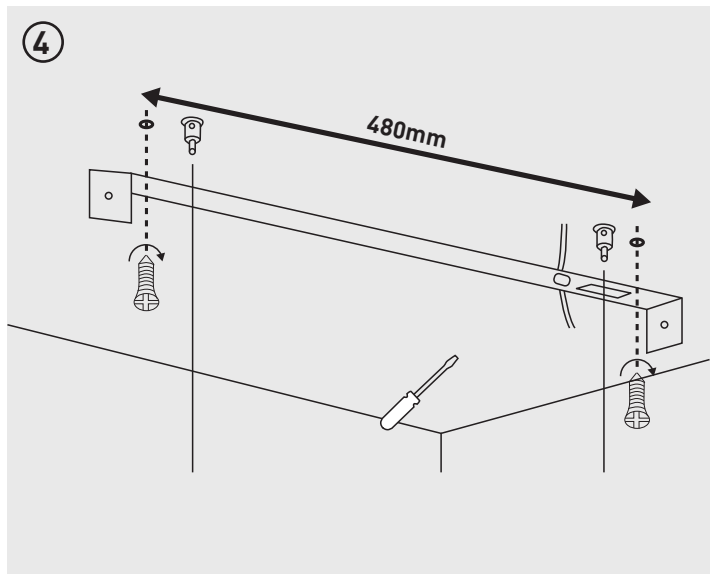
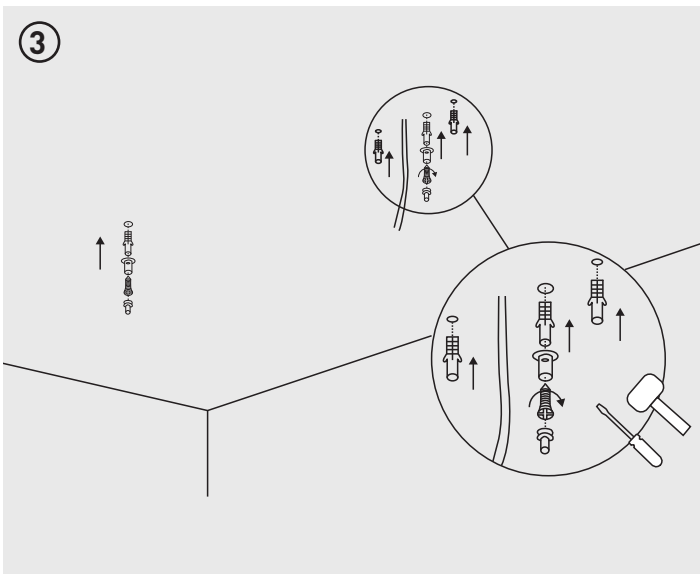
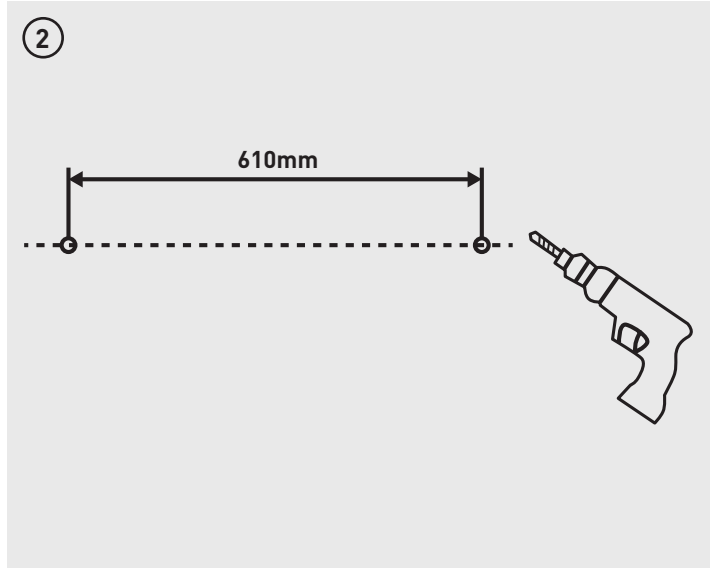
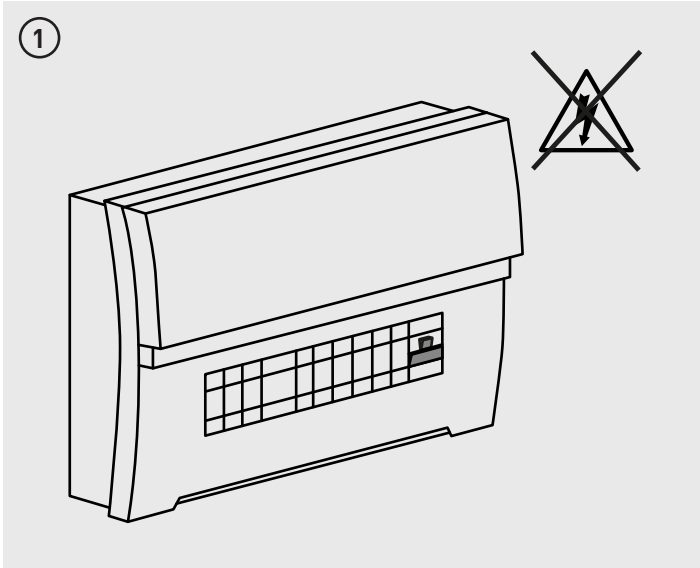
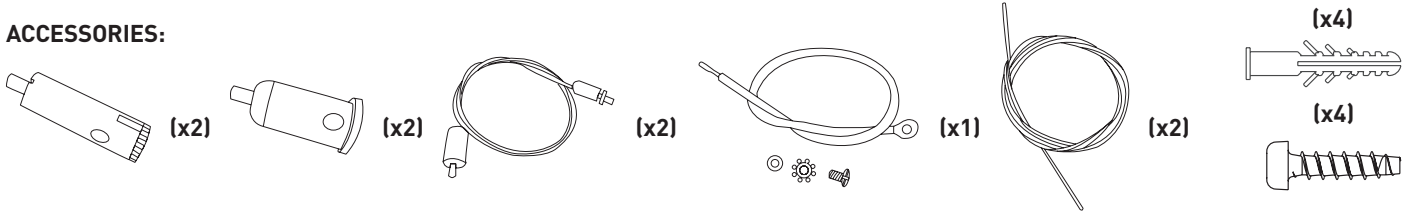


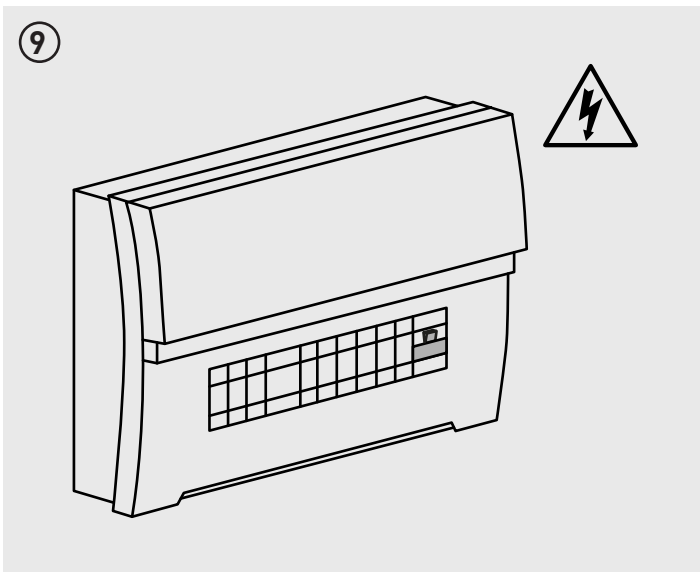
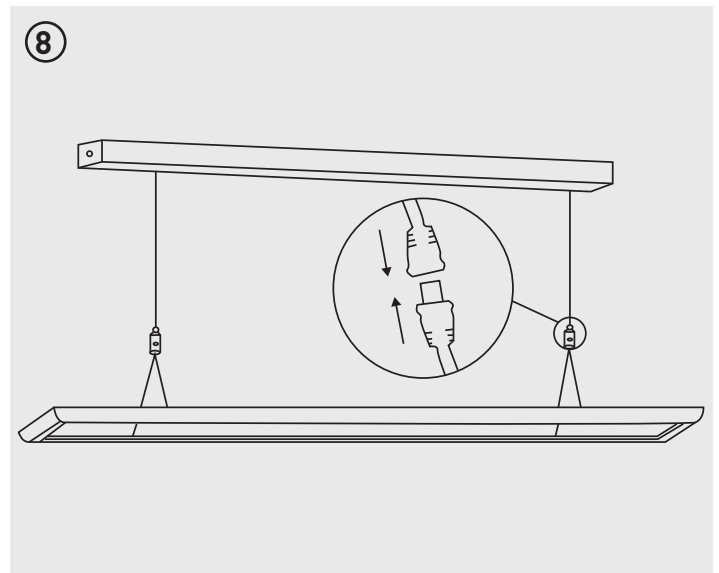
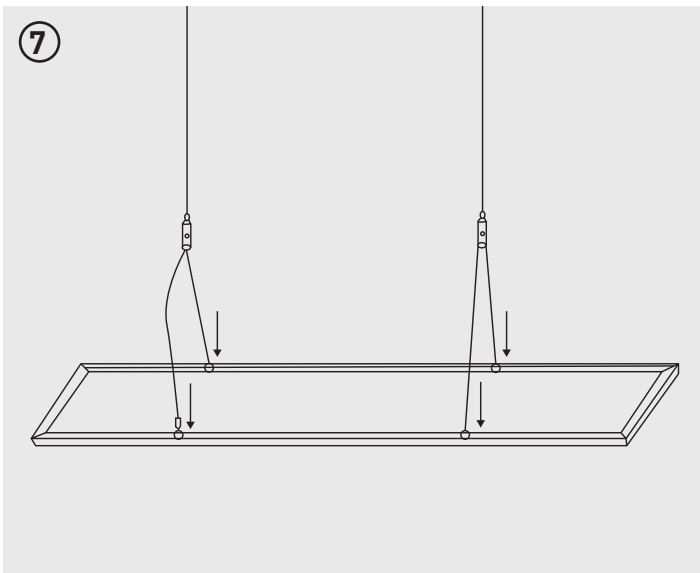
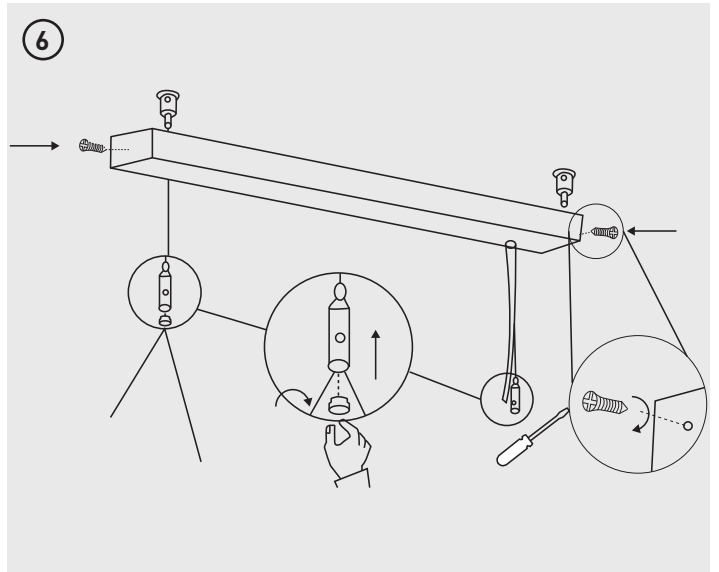
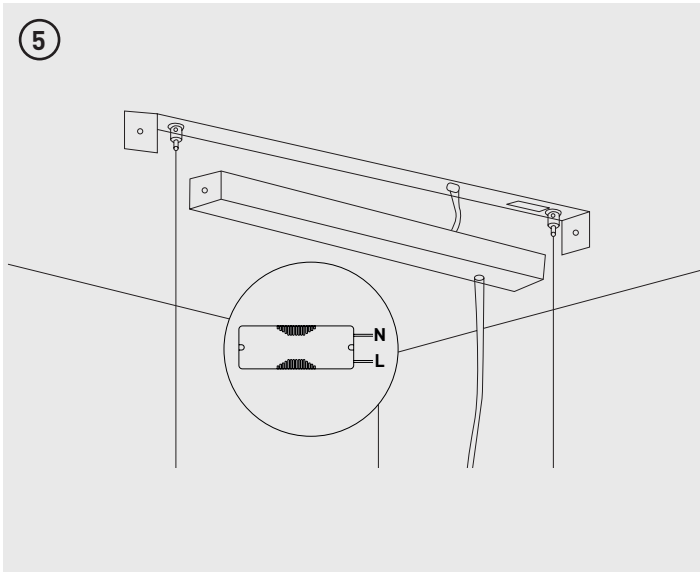
### ASSEMBLY AND INSTALLATION

- This product is only suitable for indoor use
- Suspended mounted linear up/down light luminaire
- This product must be disconnected before insulation resistance testing of the lighting circuit



### ACCESSORIES:





Tech Help Line

UK - **0330 0249 279**  
 Non UK - **+44 (0)1952 238 100**  
 Supplied by LUCECO  
 Stafford Park 1, Telford, Shropshire,  
 England, TF3 3BD

Kontakt

UK - **0330 0249 279**  
 Non UK - **+49 40 89066 878 - 29**  
 Geliefert von Luceco  
 GmbH Holstenplatz 20b,  
 22765 Hamburg DEUTSCHLAND

Support Technique

UK - **0330 0249 279**  
 Non UK - **+33 [0]1 61 10 10 35**  
 Notice fournie par  
 Luceco SAS France & Belux 3  
 Rue de Courtalin, Magny Le Hongre 77700  
 FRANCE & BELUX

Servicio de asistencia telefónica

UK - **0330 0249 279**  
 Non UK - **+34 93 576 83 21**  
 Facilitado por BG Electrical Ltd  
 Liessamins, 6, 08338,  
 Premia de Datt Barcelona, Spain

Assistenza tecnica telefonica

UK - **0330 0249 279**  
 Non UK - **+39 0434 1696795**  
 Fornito da BG Electrical Ltd Nexus  
 Italia, Via Amman 10 33170  
 Pordenone, Italy