

APPROVALS:

TYPE:
NOTES:

JOB:

SLIMLINE RECHARGEABLE WORKLIGHT - LSWR

PRODUCT SPECIFICATIONS

RECHARGEABLE:

- 1.8A USB

CONSTRUCTION:

- Sturdy steel stand, die-cast housing with tempered glass
- Lightweight frame
- Fixed output integrated driver

BODY FINISH: Yellow

BEAM DISTRIBUTION: 95°

COLOR TEMPERATURE: 5000K as standard. Other color temps available; subject to minimum quantity.

CRI: Greater than 80

EFFICACY: Up to 75 Lm/W

IGNITION TIME: Less than 1sec.

IP RATING: IP65



FEATURES

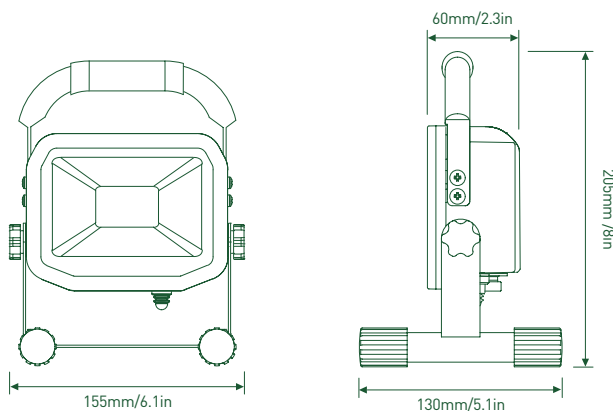
- 500 charge cycles
- 90% energy savings over halogen
- Supplied with USB lead (USB to Micro USB) & car charger

STANDARDS

RoHS	Complies with restriction of the use of certain hazardous substances
UL	Luminaires, light-emitting-diode
LM-79	IESNA method for the electrical and photometric measurements of LED light products
LM-80	IESNA method for measuring lumen maintenance of LED light sources
TM-21	IESNA method for projecting the lumen maintenance of LED light products



DIMENSIONS



US Help line - **1 800 645-6460**
p - **281 978-2509**
e - **us_sales@luceco.com**

Luceco Inc
3010 Claymoore Park Dr
Houston, TX 77043

Visit our website at

www.luceco.com

CCT



5000K
NEUTRAL
WHITE

5000K 'neutral white' color temperature as standard.

Other color temperatures available to order, subject to minimum requirement

3000K / 4000K / 5700K / 6500K

ORDERING

MODEL NUMBER	LUMENS	WATTAGE
LSWR10BR-US	750	10W

US Help line - **1 800 645-6460**
p - **281 978-2509**
e - **us_sales@luceco.com**

Luceco Inc
3010 Claymoore Park Dr
Houston, TX 77043

Visit our website at

www.luceco.com