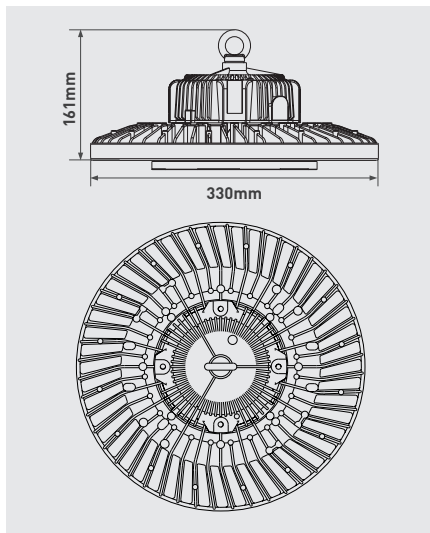


ERIS HIGHBAY

- 60°C Ambient
- Chain, Rotatable Surface Mounting Bracket, Waterproof Connector, Reflectors and Refractor accessories available
- Supplied with fixed output driver
- Suitable for suspension or surface mounting
- Supplied with 0.25m cable with In-Line connector



4000K
NEUTRAL
WHITE

50,000
HOURS

BLACK
FINISH

IP65
RATED

IK08

CAT NO.	LUMINAIRE LUMENS	WATTAGE	EFFICACY Llm/W
LHBE20S40	20,000	150W	135
LHBE32S40	32,500	240W	135

REFLECTOR / REFRACTOR

CAT NO.	DESCRIPTION	BEAM ANGLE
LHBRFL60	Aluminium Reflector	60°
LHBRFL90	Aluminium Reflector	90°
LHBRFL120	Aluminium Reflector	120°
LHBRFT	Polycarbonate Refractor	60°

	LENGTH / DIA (mm)	WIDTH (mm)	HEIGHT / DEPTH (mm)	WEIGHT (kg)	L FIXING CENTRES (mm)	W FIXING CENTRES (mm)	CEILING CUTOUT (mm)	LUMINAIRE LUMENS (Llm)	LUMINAIRE WATTAGE (W)	EFFICACY (Llm/W)	CCT (K)	CRI	UGR	IP RATED	IK RATED	GLOW WIRE (°C)	RAL COLOUR	TEMP RANGE (°C)	RATED LIFE (HR)	AMBIENT TEMP. RATED LIFE (°C)	L AT RATED LIFE	B AT RATED LIFE	VOLTAGE RANGE	FREQUENCY	EMERGENCY PACK CODE	WARRANTY (YEARS)
LHBE20S40	330	330	150	4350g	N/A	N/A	N/A	20000	150	135	4000	>80	≤22	IP65	IK08	N/A	Black	-30 to +60	50,000	60	70	50	220-240V	50hz	N/A	5
LHBE32S40	330	330	150	5100g	N/A	N/A	N/A	32500	240	135	4000	>80	≤26	IP65	IK08	N/A	Black	-30 to +60	50,000	60	70	50	220-240V	50hz	N/A	5

LHBE20S40-RF Eris Highbay + Refractor

LUMINAIRE PERFORMANCE

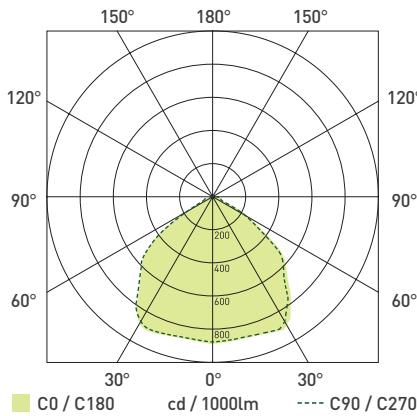
Light Output Ratio: 100.12%
 Luminaire Efficacy: 135.16 lm/W
 Light Distribution: A50 ↓98.7% ↑1.3%
 CIE Flux Codes: 59 93 98 99 100

LHBE20S40-RF Eris Highbay + 90° Reflector

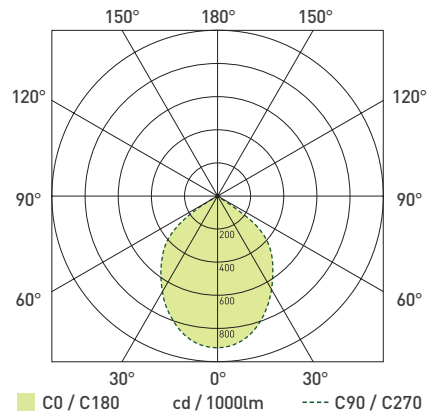
LUMINAIRE PERFORMANCE

Light Output Ratio: 99.84%
 Luminaire Efficacy: 134.78 lm/W
 Light Distribution: A50 ↓100.0% ↑0.0%
 CIE Flux Codes: 65 98 100 100 100

LUMINOUS INTENSITY



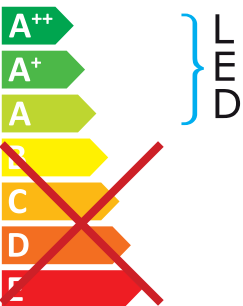
LUMINOUS INTENSITY



LUCECO



This luminaire contains built-in LED lamps.



The lamps cannot be changed in the luminaire.

874/2012



STANDARDS

EN 60598-1	Luminaires - General requirements
EN 60598-2-1	Luminaires - Fixed general purpose
EN 55015	Limits and methods of measurement of radio disturbance characteristics of electrical lighting and similar equipment
EN 61547	Equipment for general lighting purposes - EMC immunity requirements
EN 61000-3-2	Electromagnetic compatibility (EMC) - Part 3-2: Limits - for harmonic current emissions
EN 62471	Photobiological safety of lamps and lamp systems
2002/96/EC	Waste Electrical & Electronic Equipment (WEEE)
2011/65/EU	Restriction of the use of certain Hazardous Substances in EEE (RoHS)
(EC) No 1907/2006	The Registration, Evaluation, Authorisation and Restriction of Chemicals (REACH)

