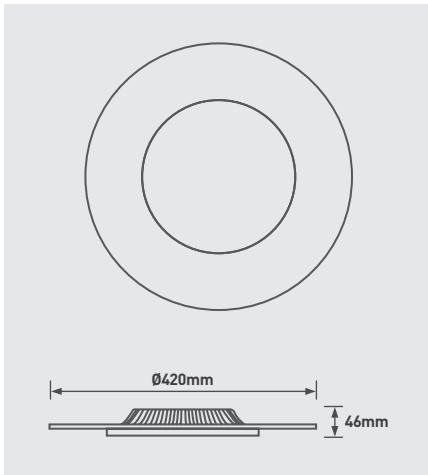


ICE CIRCULAR



Transparent disc with balanced 51/49 front/back light distribution

- Suitable for wall or ceiling mounting



4000K
NEUTRAL
WHITE

50,000
HOURS

CRI
>80

CAT NO.	DRIVER	LUMINAIRE LUMENS	WATTAGE	EFFICACY Llm/W
LICS24S40	Standard	2400	24W	100

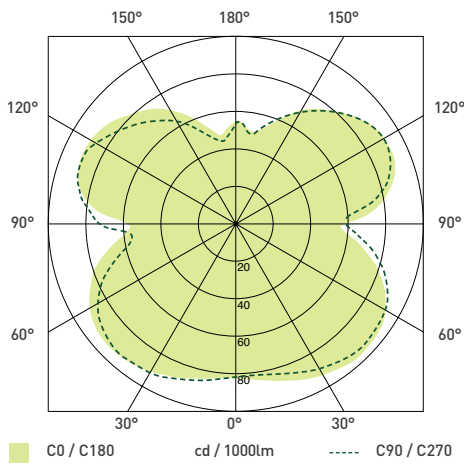
	LENGTH / DIA (mm)	WIDTH (mm)	HEIGHT / DEPTH (mm)	WEIGHT (kg)	L FIXING CENTRES (mm)	W FIXING CENTRES (mm)	CEILING CUTOUT (mm)	LUMINAIRE LUMENS (Llm)	LUMINAIRE WATTAGE (W)	EFFICACY (Llm/W)	CCT (K)	CRI	UGR	IP RATED	IK RATED	GLOW WIRE (°C)	RAL COLOUR	TEMP RANGE (°C)	RATED LIFE (HR)	AMBIENT TEMP. RATED LIFE (°C)	L AT RATED LIFE	B AT RATED LIFE	VOLTAGE RANGE	FREQUENCY	EMERGENCY PACK CODE	WARRANTY (YEARS)
LICS24S40	420	N/A	46	1.5	215	N/A	N/A	2400	24	100	4000	>80	≤19	IP20	IK04	650	9016	-20 to +30	50,000	25	70	50	220-240V	50hz	N/A	5

LICS24S40

LUMINAIRE PERFORMANCE

Light Output Ratio: 100%
 Luminaire Efficacy: 101.14 lm/W
 Light Distribution: C22 ↓51.3% ↑48.7%
 CIE Flux Codes: 27 56 81 51 100
 UGR 4H 8H (20%, 50%, 70%)C0 / C90: 20.2 / 19.5

LUMINOUS INTENSITY



LUCECO

This luminaire contains built-in LED lamps.

A++
A+
A
~~**B**~~
~~**C**~~
~~**D**~~
~~**E**~~

} LED

The lamps cannot be changed in the luminaire.

874/2012

STANDARDS

EN 60598-1	Luminaires - General requirements
EN 60598-2-1	Luminaires - Fixed general purpose
EN 61347-1	Lamp controlgear - Part 1: General and safety requirements
EN 61347-2-13	Lamp controlgear - Part 2-13 : Particular requirements for d.c. or a.c. supplied electronic controlgear for LED modules
EN 55015	Limits and methods of measurement of radio disturbance characteristics of electrical lighting and similar equipment
EN 61547	Equipment for general lighting purposes - EMC immunity requirements
EN 61000-3-2	Electromagnetic compatibility (EMC) - Part 3-2: Limits - for harmonic current emissions
EN 62471	Photobiological safety of lamps and lamp systems
2002/96/EC	Waste Electrical & Electronic Equipment (WEEE)
2011/65/EU	Restriction of the use of certain Hazardous Substances in EEE (RoHS)
(EC) No 1907/2006	The Registration, Evaluation, Authorisation and Restriction of Chemicals (REACH)