

LUXPANEL CIRCULAR EDGELIT

Circular LuxPanel design, with a subtle white frame surround.

- Supplied with remote 'plug-and-play' driver, available in standard fixed output or dimmable. All compatible with emergency pack accessory.
- Quick and easy to install with no maintenance requirements.
- 4800K 'neutral white' colour temperature as standard; other colour temperatures available to order, subject to minimum requirement - 3000K / 4000K / 6000K.



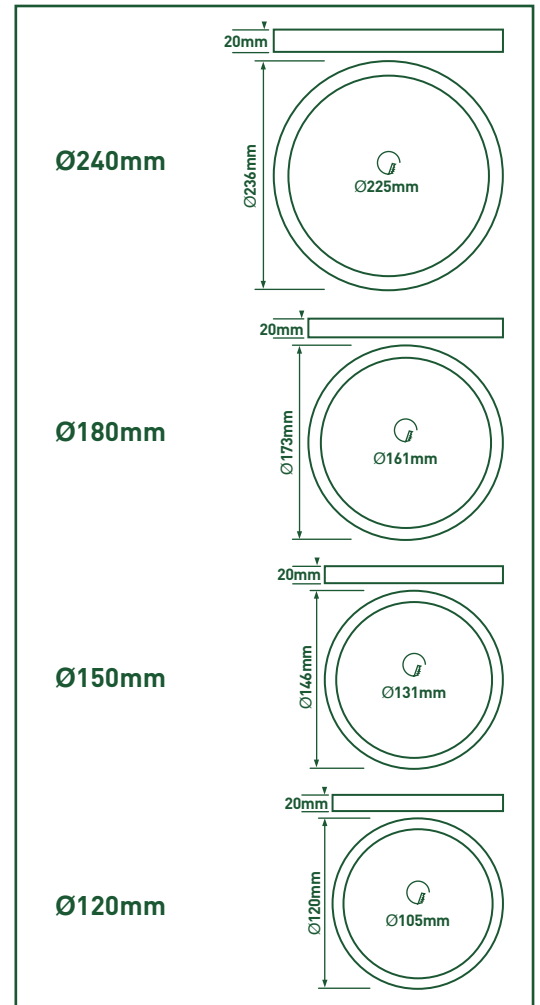
CAT NO.	SIZE	DRIVER	LUMINAIRE LUMENS	WATTAGE	EFFICACY Llm/W	CURRENT
LP240WS40	Ø240mm	Standard	1440	14W	90	300mA
LP240WD40	Ø240mm	Dimmable	1440	14W	90	300mA
LP180WS40	Ø180mm	Standard	900	10W	90	300mA
LP180WD40	Ø180mm	Dimmable	900	10W	90	300mA
LP150WS40	Ø150mm	Standard	675	9W	75	350mA
LP150WD40	Ø150mm	Dimmable	675	9W	75	350mA
LP120WS40	Ø120mm	Standard	390	6W	65	350mA
LP120WD40	Ø120mm	Dimmable	390	6W	65	350mA

- LED3EP80-OJ - Emergency pack available

CONTINUED

STANDARDS

EN 60598-1	Luminaires - General requirements
EN 60598-2-2	Luminaires - Recessed
EN 60598-2-22	Luminaires - Emergency
EN 61347-1	Lamp controlgear - Part 1: General and safety requirements
EN 61347-2-13	Lamp controlgear - Part 2-13 : Particular requirements for d.c. or a.c. supplied electronic controlgear for LED modules
EN 55015	Limits and methods of measurement of radio disturbance characteristics of electrical lighting and similar equipment
EN 61547	Equipment for general lighting purposes - EMC immunity requirements
EN 61000-3-2	Electromagnetic compatibility (EMC) - Part 3-2: Limits - for harmonic current emissions
EN 62471	Photobiological safety of lamps and lamp systems
2002/96/EC	Waste Electrical & Electronic Equipment (WEEE)
2011/65/EU	Restriction of the use of certain Hazardous Substances in EEE (RoHS)
(EC) No 1907/2006	The Registration, Evaluation, Authorisation and Restriction of Chemicals (REACH)



5 years extended (3 years standard) and 1 year onsite warranty available in the UK. Rest of the world may vary, please ask your local distributor for more information.



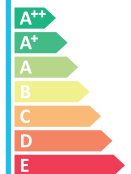
RoHS



LUCECO



The luminaire contains built-in LED lamps.



A+

The lamps cannot be changed in the luminaire.

874/2012



Tech Help Line

UK - **03300 249 279**

Non UK - **+44 (0)1952 238 100**

Supplied by Luceco Ltd

Nexus Distribution Centre, Stafford Park 1
Telford, Shropshire, TF3 3BD

Visit our website at

www.luceco.com

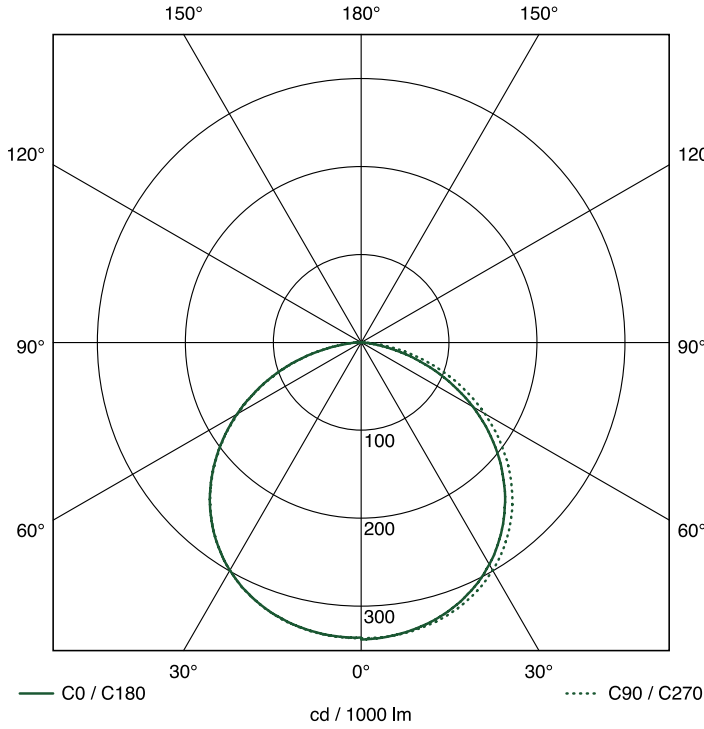
LUCECO PHOTOMETRIC DATA

LP240W

LUMINAIRE PERFORMANCE

Light Output Ratio:	100%	Quantity:	1
Luminaire Efficacy:	74 lm/W	Designation:	LED
Light Distribution:	A40 ↓100.0% ↑0.0%	Colour Temperature:	4800K
CIE Flux Codes:	46 79 96 100 101	Luminous flux:	1332 lm
UGR 4H 8H (20%, 50%, 70%) C0 / C90:	24.3 / 25.5	CRI:	81

LUMINOUS INTENSITY



	C0	C90	C180
0°	338	336	335
5°	336	336	335
10°	332	333	333
15°	326	329	328
20°	317	321	321
25°	306	312	311
30°	291	299	299
35°	274	283	283
40°	253	264	265
45°	230	243	243
50°	205	218	219
55°	177	191	192
60°	147	162	163
65°	115	132	133
70°	84	101	102
75°	53	70	70
80°	24	39	39
85°	5	13	13
90°	1	2	2
	cd / 1000 lm		

UNIFIED GLARE RATING (UGR) TABLE

REFLECTANCE OF

CEILING	0.7	0.7	0.5	0.5	0.3	0.7	0.7	0.5	0.5	0.3
WALLS	0.5	0.3	0.5	0.3	0.3	0.5	0.3	0.5	0.3	0.3
FLOOR CAVITY	0.2	0.2	0.2	0.2	0.2	0.2	0.2	0.2	0.2	0.2

ROOM DIMENSION

ROOM DIMENSION		VIEWED CROSSWISE					VIEWED ENDWISE				
x	y										
2H	2H	21.0	22.6	21.3	23.0	23.3	21.5	23.2	21.9	23.5	23.8
	3H	22.4	23.9	22.8	24.2	24.6	23.1	24.6	23.5	25.0	25.3
	4H	22.9	24.3	23.2	24.6	25.0	23.8	25.2	24.2	25.5	25.9
	6H	23.1	24.4	23.5	24.8	25.2	24.2	25.5	24.6	25.9	26.3
	8H	23.1	24.4	23.5	24.8	25.2	24.3	25.6	24.7	25.9	26.3
	12H	23.1	24.3	23.5	24.7	25.1	24.3	25.5	24.7	25.9	26.3
4H	2H	21.8	23.2	22.2	23.5	23.9	22.3	23.7	22.7	24.0	24.4
	3H	23.3	24.5	23.7	24.9	25.3	24.1	25.3	24.5	25.6	26.1
	4H	23.9	25.0	24.4	25.4	25.8	24.9	25.9	25.3	26.3	26.8
	6H	24.2	25.2	24.7	25.6	26.0	25.4	26.3	25.8	26.8	27.2
	8H	24.3	25.1	24.7	25.6	26.1	25.5	26.4	26.0	26.9	27.3
	12H	24.3	25.1	24.8	25.5	26.0	25.6	26.4	26.1	26.9	27.4
8H	4H	24.2	25.1	24.7	25.5	26.0	25.1	26.0	25.6	26.5	26.9
	6H	24.6	25.3	25.1	25.8	26.3	25.8	26.5	26.3	27.0	27.5
	8H	24.7	25.4	25.2	25.9	26.4	26.1	26.7	26.6	27.2	27.7
	12H	24.7	25.3	25.2	25.8	26.3	26.2	26.7	26.7	27.2	27.7
12H	4H	24.2	25.1	24.7	25.5	26.0	25.2	26.0	25.6	26.4	26.9
	6H	24.7	25.3	25.2	25.8	26.3	25.9	26.5	26.4	27.0	27.5
	8H	24.8	25.3	25.3	25.8	26.3	26.1	26.7	26.7	27.2	27.7

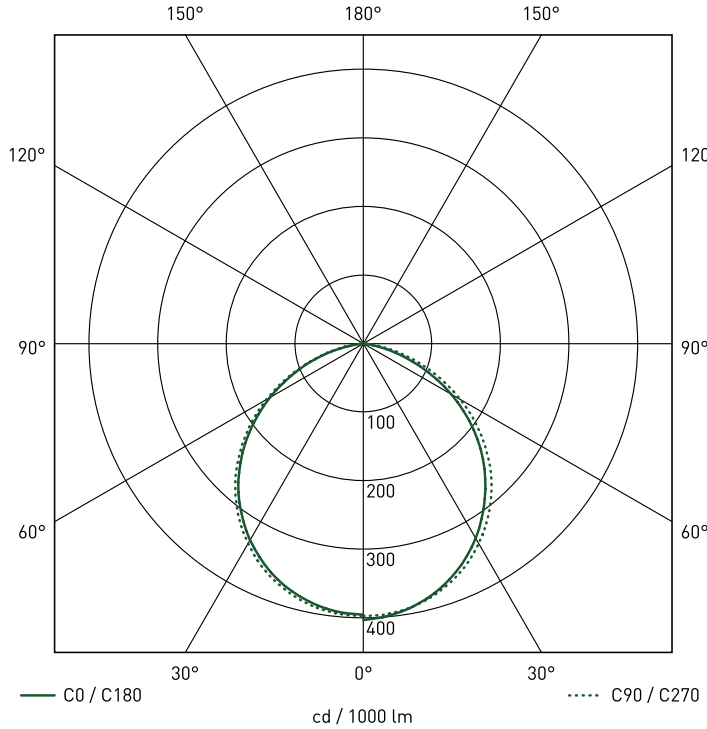
LUCECO PHOTOMETRIC DATA

LP180W

LUMINAIRE PERFORMANCE

Light Output Ratio:	107.962%	Quantity:	1
Luminaire Efficacy:	75.03 lm/W	Designation:	LED
Light Distribution:	A40 ↓99.9% ↑0.1%	Colour Temperature:	4800K
CIE Flux Codes:	49 81 97 100 108	Luminous flux:	834 lm
UGR 4H 8H (20%, 50%, 70%) C0 / C90:	25.7 / 26.7	CRI:	80

LUMINOUS INTENSITY



	C0	C90	C180
0°	403	397	395
5°	399	396	393
10°	391	391	387
15°	381	383	378
20°	366	371	366
25°	349	356	350
30°	328	336	331
35°	303	315	308
40°	277	290	284
45°	248	263	255
50°	217	231	225
55°	184	199	192
60°	148	164	158
65°	112	127	122
70°	76	92	88
75°	42	59	55
80°	14	27	23
85°	3	2	3
90°	1	0	1
	cd / 1000 lm		

UNIFIED GLARE RATING (UGR) TABLE

REFLECTANCE OF

CEILING	0.7	0.7	0.5	0.5	0.3	0.7	0.7	0.5	0.5	0.3
WALLS	0.5	0.3	0.5	0.3	0.3	0.5	0.3	0.5	0.3	0.3
FLOOR CAVITY	0.2	0.2	0.2	0.2	0.2	0.2	0.2	0.2	0.2	0.2

ROOM DIMENSION

x		VIEWED CROSSWISE					VIEWED ENDWISE				
	y										
2H	2H	23.0	24.6	23.4	24.9	25.3	23.5	25.1	23.9	25.5	25.8
	3H	24.2	25.6	24.6	26.0	26.3	24.9	26.4	25.3	26.7	27.0
	4H	24.5	25.9	24.9	26.2	26.6	25.4	26.7	25.8	27.1	27.4
	6H	24.6	25.9	25.0	26.2	26.6	25.6	26.9	26.0	27.3	27.6
	8H	24.6	25.8	25.0	26.2	26.6	25.6	26.8	26.0	27.2	27.6
	12H	24.5	25.7	24.9	26.1	26.5	25.6	26.8	26.0	27.1	27.5
4H	2H	23.8	25.1	24.2	25.5	25.8	24.2	25.6	24.6	25.9	26.3
	3H	25.1	26.3	25.5	26.6	27.0	25.7	26.9	26.2	27.3	27.7
	4H	25.6	26.6	26.0	27.0	27.4	26.4	27.4	26.8	27.8	28.3
	6H	25.7	26.6	26.1	27.0	27.5	26.7	27.6	27.2	28.0	28.5
	8H	25.7	26.5	26.2	27.0	27.4	26.7	27.6	27.2	28.0	28.5
	12H	25.7	26.5	26.2	26.9	27.4	26.7	27.5	27.2	28.0	28.5
8H	4H	25.8	26.6	26.2	27.1	27.5	26.6	27.4	27.1	27.9	28.3
	6H	26.0	26.7	26.5	27.2	27.7	27.0	27.7	27.5	28.2	28.7
	8H	26.1	26.7	26.6	27.2	27.7	27.2	27.8	27.7	28.3	28.8
	12H	26.1	26.6	26.6	27.1	27.6	27.2	27.7	27.7	28.2	28.7
12H	4H	25.8	26.6	26.3	27.0	27.5	26.6	27.4	27.1	27.8	28.3
	6H	26.1	26.7	26.6	27.2	27.7	27.1	27.7	27.6	28.2	28.7
	8H	26.1	26.6	26.6	27.2	27.7	27.2	27.7	27.8	28.3	28.8

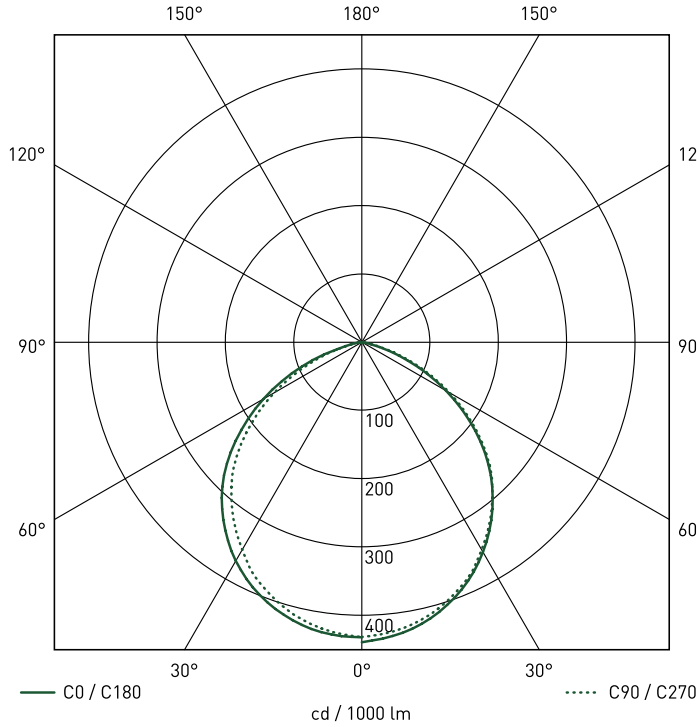
LUCECO PHOTOMETRIC DATA

LP150W

LUMINAIRE PERFORMANCE

Light Output Ratio:	108.4%	Quantity:	1
Luminaire Efficacy:	77.81 lm/W	Designation:	LED
Light Distribution:	A40 ↓99.9% ↑0.1%	Colour Temperature:	4800K
CIE Flux Codes:	52 85 98 100 108	Luminous flux:	646 lm
UGR 4H 8H (20%, 50%, 70%) C0 / C90:	25.0 / 25.9	CRI:	81

LUMINOUS INTENSITY



	C0	C90	C180
0°	439	432	432
5°	434	428	431
10°	426	420	426
15°	414	409	418
20°	398	393	405
25°	378	375	389
30°	355	351	370
35°	328	325	346
40°	298	297	319
45°	265	267	288
50°	227	231	251
55°	185	190	210
60°	142	149	167
65°	99	106	122
70°	57	65	77
75°	21	26	31
80°	3	7	10
85°	2	0	2
90°	1	0	1
	cd / 1000 lm		

UNIFIED GLARE RATING (UGR) TABLE

REFLECTANCE OF

CEILING	0.7	0.7	0.5	0.5	0.3	0.7	0.7	0.5	0.5	0.3
WALLS	0.5	0.3	0.5	0.3	0.3	0.5	0.3	0.5	0.3	0.3
FLOOR CAVITY	0.2	0.2	0.2	0.2	0.2	0.2	0.2	0.2	0.2	0.2

ROOM DIMENSION

ROOM DIMENSION		VIEWED CROSSWISE					VIEWED ENDWISE				
x	y										
2H	2H	23.4	24.9	23.7	25.3	25.6	23.9	25.4	24.2	25.8	26.1
	3H	24.2	25.6	24.5	25.9	26.3	24.8	26.2	25.2	26.6	26.9
	4H	24.3	25.6	24.7	25.9	26.3	24.9	26.3	25.3	26.6	27.0
	6H	24.2	25.5	24.7	25.8	26.2	25.0	26.2	25.4	26.5	26.9
	8H	24.2	25.3	24.6	25.7	26.1	24.9	26.1	25.3	26.4	26.8
	12H	24.1	25.2	24.5	25.6	26.0	24.8	26.0	25.3	26.4	26.8
4H	2H	24.0	25.3	24.4	25.7	26.0	24.5	25.8	24.9	26.2	26.5
	3H	24.9	26.0	25.3	26.4	26.8	25.6	26.7	26.0	27.1	27.5
	4H	25.1	26.0	25.5	26.5	26.9	25.9	26.9	26.3	27.3	27.7
	6H	25.0	25.9	25.5	26.3	26.8	25.9	26.8	26.4	27.2	27.7
	8H	25.0	25.8	25.5	26.3	26.7	25.9	26.7	26.4	27.1	27.6
	12H	25.0	25.7	25.5	26.2	26.7	25.9	26.6	26.4	27.1	27.6
8H	4H	25.2	26.0	25.7	26.5	26.9	26.0	26.8	26.5	27.2	27.7
	6H	25.2	25.9	25.7	26.3	26.8	26.1	26.8	26.6	27.2	27.7
	8H	25.2	25.8	25.8	26.3	26.8	26.2	26.8	26.7	27.3	27.8
	12H	25.2	25.7	25.7	26.2	26.7	26.2	26.6	26.7	27.1	27.7
12H	4H	25.2	26.0	25.7	26.4	26.9	26.0	26.7	26.5	27.2	27.7
	6H	25.3	25.8	25.8	26.4	26.8	26.2	26.7	26.7	27.2	27.7
	8H	25.2	25.7	25.8	26.2	26.8	26.2	26.7	26.7	27.2	27.7

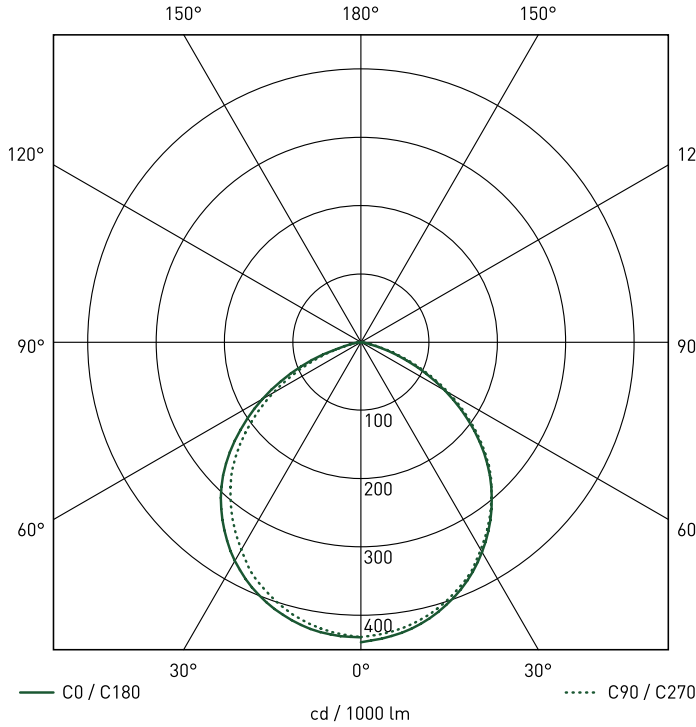
LUCECO PHOTOMETRIC DATA

LP120W

LUMINAIRE PERFORMANCE

Light Output Ratio:	108.4%	Quantity:	1
Luminaire Efficacy:	66.67 lm/W	Designation:	LED
Light Distribution:	A40 ↓99.9% ↑0.1%	Colour Temperature:	4800K
CIE Flux Codes:	52 85 98 100 108	Luminous flux:	369 lm
UGR 4H 8H (20%, 50%, 70%) C0 / C90:	25.1 / 26.0	CRI:	81

LUMINOUS INTENSITY



	C0	C90	C180
0°	439	432	432
5°	434	428	431
10°	426	420	426
15°	414	409	418
20°	398	393	405
25°	378	375	389
30°	355	351	370
35°	328	325	346
40°	298	297	319
45°	265	267	288
50°	227	231	251
55°	185	190	210
60°	142	149	167
65°	99	106	122
70°	57	65	77
75°	21	26	31
80°	3	7	10
85°	2	0	2
90°	1	0	1
	cd / 1000 lm		

UNIFIED GLARE RATING (UGR) TABLE

REFLECTANCE OF

CEILING	0.7	0.7	0.5	0.5	0.3	0.7	0.7	0.5	0.5	0.3
WALLS	0.5	0.3	0.5	0.3	0.3	0.5	0.3	0.5	0.3	0.3
FLOOR CAVITY	0.2	0.2	0.2	0.2	0.2	0.2	0.2	0.2	0.2	0.2

ROOM DIMENSION

ROOM DIMENSION		VIEWED CROSSWISE					VIEWED ENDWISE				
x	y										
2H	2H	23.5	25.0	23.8	25.3	25.6	24.0	25.5	24.3	25.8	26.2
	3H	24.2	25.6	24.6	26.0	26.3	24.9	26.3	25.3	26.6	27.0
	4H	24.3	25.6	24.7	26.0	26.4	25.0	26.3	25.4	26.7	27.1
	6H	24.3	25.5	24.7	25.9	26.3	25.0	26.2	25.4	26.6	27.0
	8H	24.3	25.4	24.7	25.8	26.2	25.0	26.1	25.4	26.5	26.9
	12H	24.2	25.3	24.6	25.7	26.1	24.9	26.0	25.3	26.4	26.8
4H	2H	24.1	25.4	24.5	25.8	26.1	24.6	25.9	25.0	26.2	26.6
	3H	25.0	26.1	25.4	26.5	26.9	25.7	26.8	26.1	27.2	27.6
	4H	25.2	26.1	25.6	26.5	27.0	26.0	26.9	26.4	27.4	27.8
	6H	25.1	26.0	25.6	26.4	26.9	26.0	26.9	26.5	27.3	27.8
	8H	25.1	25.9	25.6	26.3	26.8	26.0	26.8	26.4	27.2	27.7
	12H	25.1	25.8	25.5	26.2	26.7	26.0	26.7	26.4	27.1	27.6
8H	4H	25.3	26.1	25.8	26.5	27.0	26.1	26.9	26.5	27.3	27.8
	6H	25.3	25.9	25.8	26.4	26.9	26.2	26.9	26.7	27.3	27.8
	8H	25.3	25.9	25.8	26.4	26.9	26.3	26.8	26.8	27.3	27.8
	12H	25.3	25.8	25.8	26.3	26.8	26.2	26.7	26.8	27.2	27.7
12H	4H	25.3	26.0	25.8	26.5	27.0	26.1	26.8	26.6	27.2	27.8
	6H	25.3	25.9	25.9	26.4	26.9	26.2	26.8	26.8	27.3	27.8
	8H	25.3	25.8	25.8	26.3	26.8	26.3	26.7	26.8	27.3	27.8