

LINEA 50

LINEAR SYSTEM

Surface/Pendant



Product Features

- Aluminium housing & end caps
- Microprismatic diffuser
- Rated Voltage: 220-240 V ±10%
- Mains frequency: 50-60 Hz
- Maximum ambient temperature: ta = 45 °C
- Minimum ambient temperature: ta = -10 °C
- Module temperature - tc: 85°C
- Minimum colour tolerance: 3MacAdam (3SDCM)
- Lifetime: 80 000 hours / L80B20 at tc=85 °C / ITM21
- Production tolerance of luminous flux and efficiency: ±10%
- Functions:
 - On / Off – Selectable current output via DIP switch
 - DALI – Push switch
 - Light output level in DC operation:
 - Programmable 1-100%



CAT NO.	DRIVER	CCT	LUMINAIRE LUMENS	WATTAGE	EFFICACY Lm/cW	DIMENSION (LxWxH-mm)	LIGHT DISTRIBUTION	L/B RATED LIFE
600mm								
LLN50S06WO19S30	Fixed Output	3000K	1900	17W	112	567x50x72	Direct 100%	L80/B20
LLN50S06WO21S40	Fixed Output	4000K	2100	17W	124	567x50x72	Direct 100%	L80/B20
900mm								
LLN50S09WO29S30	Fixed Output	3000K	2900	26W	116	847x50x72	Direct 100%	L80/B20
LLN50S09WO32S40	Fixed Output	4000K	3200	26W	123	847x50x72	Direct 100%	L80/B20
1200mm								
LLN50S12WO37S30	Fixed Output	3000K	3740	34W	110	1127x50x72	Direct 100%	L80/B20
LLN50S12WO41S40	Fixed Output	4000K	4100	34W	121	1127x50x72	Direct 100%	L80/B20
1500mm								
LLN50S15WO47S30	Fixed Output	3000K	4730	43W	110	1407x50x72	Direct 100%	L80/B20
LLN50S15WO52S40	Fixed Output	4000K	5200	43W	121	1407x50x72	Direct 100%	L80/B20
1700mm								
LLN50S17WO57S30	Fixed Output	3000K	5720	51W	112	1687x50x72	Direct 100%	L80/B20
LLN50S17WO63S40	Fixed Output	4000K	6300	51W	124	1687x50x72	Direct 100%	L80/B20
2300mm								
LLN50S23WO75S30	Fixed Output	3000K	7500	68W	111	2250x50x72	Direct 100%	L80/B20
LLN50S23WO82S40	Fixed Output	4000K	8200	68W	121	2250x50x72	Direct 100%	L80/B20

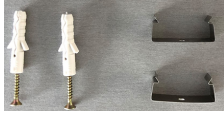
Note:

*** PRODUCT CUSTOMIZATION ***

- Product code shown above are standard
- Product customization is available base on project requirements
- Continuous Product available upon request

ACCESSORIES & OPTIONS

SURFACE MOUNTING



Screws - 2pcs; Clips - 2pcs;
Plastic Dowel 2pcs
Included in the luminaire

SUSPENDED MOUNTING



Suspension Set 1.5M - 2pcs
Code: LUSUSC

WALL MOUNTING

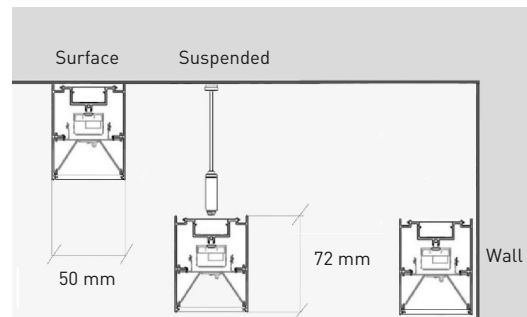
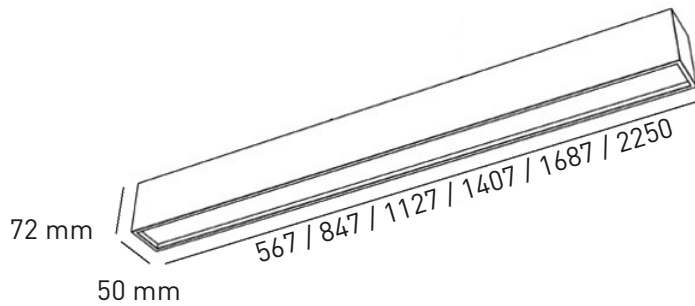


Wall Mounting
1 Plate
Code: LUWM1P

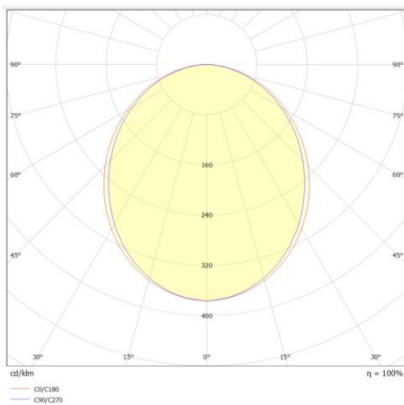


Wall Mounting
2 Plate
Code: LUWM2P

Product Drawing



Light Distribution



STANDARD	DESCRIPTION
EN 60598-1	Luminaires – General requirements
EN 60598-2-1	Luminaires – Fixed general purpose
EN 60598-2-22	Luminaires – Emergency
EN 61000-3-2	Electromagnetic compatibility (EMC) – Part 3-2: Limits - for harmonic current emissions
EN 61000-3-3	Limits - Limitation of voltage changes, voltage fluctuations and flicker in public low-voltage supply systems, for equipment with rated current ≤ 16 A per phase and not subject to conditional connection
EN 61547	Equipment for general lighting purposes – EMC immunity requirements
EN 55015	Limits and methods of measurement of radio disturbance characteristics of electrical lighting and similar equipment

LUCECO

This luminaire contains built-in LED lamps.

A++

A+

A

~~B~~

~~C~~

~~D~~

~~E~~

}

LED

The lamps cannot be changed in the luminaire.

874/2012