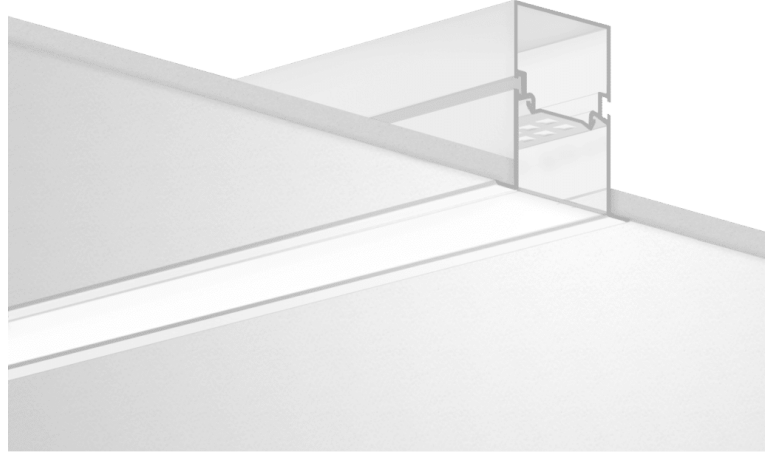


LINEA LINEAR SYSTEM Recessed

Product Features

- Aluminium housing & end caps
- Microprismatic diffuser
- Rated Voltage: 220-240 V ±10%
- Mains frequency: 50-60 Hz
- Maximum ambient temperature: ta = 45 °C
- Minimum ambient temperature: ta = -10 °C
- Module temperature - tc: 85°C
- Minimum colour tolerance: 3MacAdam (3SDCM)
- Lifetime: 80 000 hours / L80B20 at tc=85 °C / ITM21
- Production tolerance of luminous flux and efficiency: ±10%
- Functions:
 - On / Off – Selectable current output via DIP switch
 - DALI – Push switch
 - Light output level in DC operation:
 - Programmable 1-100%



CAT NO.	DRIVER	CCT	LUMINAIRE LUMENS	WATTAGE	EFFICACY Lm/cW	DIMENSION (LxWxH-mm)	LIGHT DISTRIBUTION	L/B RATED LIFE
1200mm								
LLNR12WO43S30	Fixed Output	3000K	4320	43W	100	1130x110x93	Direct 100%	L80/B20
LLNR12WO48S40	Fixed Output	4000K	4750	43W	110	1130x110x93	Direct 100%	L80/B20
1500mm								
LLNR15WO54S30	Fixed Output	3000K	5400	54W	100	1410x110x93	Direct 100%	L80/B20
LLNR15WO59S40	Fixed Output	4000K	5940	54W	110	1410x110x93	Direct 100%	L80/B20
1700mm								
LLNR17WO65S30	Fixed Output	3000K	6500	65W	100	1670x110x93	Direct 100%	L80/B20
LLNR17WO72S40	Fixed Output	4000K	7150	65W	110	1670x110x93	Direct 100%	L80/B20

Product Code Option Available:	Accessories
DALI LLNR12WO48D40	Set for Line Mounting LUSMECON - Mechanical Connector LUSELCON - Electrical Connector LUSMICON - Middle Connector LUSLCCON - L Shape Corner Connector LUSECAPS - End caps for single and continuous luminaire
EMERGENCY LLNR12WO48E40	

Accessories



L Corner Connector



Middle Connector

Note:

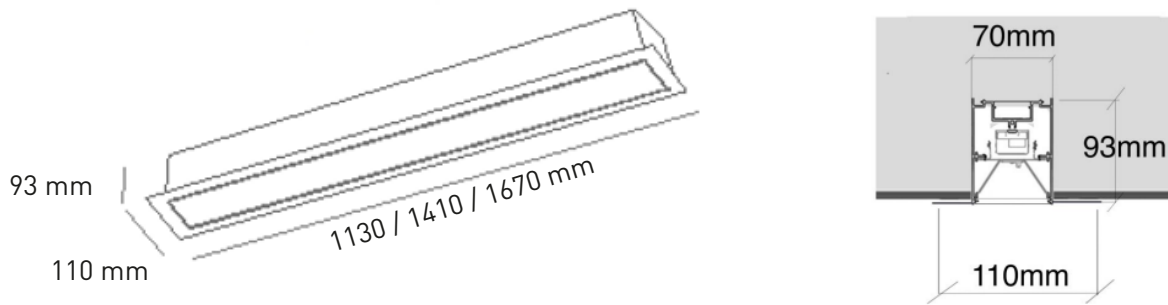
Line Continuous Mounting

- For 1st type luminaires - first luminaire in each line (mechanical + electrical connector)
- For end type luminaires - end luminaire in each line (mechanical + electrical connector)
- For middle type luminaires - all luminaires between first and last luminaires in each line - 2x(mechanical + electrical connector)
- For rectangular shape need to add L shape corner connector

*** PRODUCT CUSTOMIZATION ***

Product code shown above are standard
Product customization is available base on project requirements

Product Drawing



Product Installation

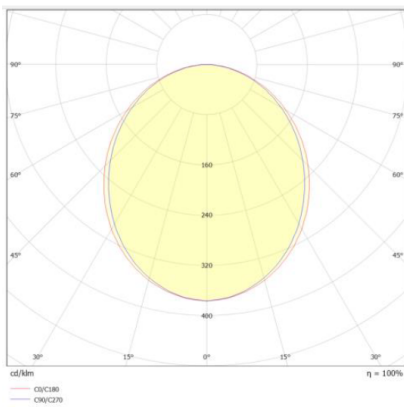


Rectangular Shape Recessed




Continuous Recessed

Light Distribution



STANDARD	DESCRIPTION
EN 60598-1	Luminaires – General requirements
EN 60598-2-1	Luminaires – Fixed general purpose
EN 60598-2-22	Luminaires – Emergency
EN 61000-3-2	Electromagnetic compatibility (EMC) – Part 3-2: Limits - for harmonic current emissions
EN 61000-3-3	Limits - Limitation of voltage changes, voltage fluctuations and flicker in public low-voltage supply systems, for equipment with rated current ≤ 16 A per phase and not subject to conditional connection
EN 61547	Equipment for general lighting purposes – EMC immunity requirements
EN 55015	Limits and methods of measurement of radio disturbance characteristics of electrical lighting and similar equipment

LUCECO

 This luminaire contains built-in LED lamps.

A++

A+

A

~~B~~

~~C~~

~~D~~

~~E~~

}

LED

The lamps cannot be changed in the luminaire.

874/2012 