

LINEA

LINEAR SYSTEM

Surface/Pendant



Product Features

- Aluminium housing & end caps
- Microprismatic diffuser
- Rated Voltage: 220-240 V ±10%
- Mains frequency: 50-60 Hz
- Maximum ambient temperature: ta = 45 °C
- Minimum ambient temperature: ta = -10 °C
- Module temperature - tc: 85°C
- Minimum colour tolerance: 3MacAdam (3SDCM)
- Lifetime: 80 000 hours / L80B20 at tc=85 °C / ITM21
- Production tolerance of luminous flux and efficiency: ±10%
- Functions:
 - On / Off – Selectable current output via DIP switch
 - DALI – Push switch
 - Light output level in DC operation:
 - Programmable 1-100%



| CAT NO. | DRIVER | CCT | LUMINAIRE LUMENS | WATTAGE | EFFICACY Lm/cW | DIMENSION (LxWxH-mm) | LIGHT DISTRIBUTION | L/B RATED LIFE |
|---------------|--------------|-------|------------------|---------|----------------|----------------------|--------------------|----------------|
| 1200mm | | | | | | | | |
| LLNS12WO43S30 | Fixed Output | 3000K | 4320 | 43W | 100 | 1130x70x93 | Direct 100% | L80/B20 |
| LLNS12WO48S40 | Fixed Output | 4000K | 4750 | 43W | 110 | 1130x70x93 | Direct 100% | L80/B20 |
| LLNS12WO52S50 | Fixed Output | 5000K | 5220 | 43W | 121 | 1130x70x93 | Direct 100% | L80/B20 |
| 1500mm | | | | | | | | |
| LLNS15WO54S30 | Fixed Output | 3000K | 5400 | 54W | 100 | 1410x70x93 | Direct 100% | L80/B20 |
| LLNS15WO59S40 | Fixed Output | 4000K | 5940 | 54W | 110 | 1410x70x93 | Direct 100% | L80/B20 |
| LLNS15WO65S50 | Fixed Output | 5000K | 6530 | 54W | 121 | 1410x70x93 | Direct 100% | L80/B20 |
| 1700mm | | | | | | | | |
| LLNS17WO65S30 | Fixed Output | 3000K | 6500 | 65W | 100 | 1670x70x93 | Direct 100% | L80/B20 |
| LLNS17WO72S40 | Fixed Output | 4000K | 7150 | 65W | 110 | 1670x70x93 | Direct 100% | L80/B20 |
| LLNS17WO79S50 | Fixed Output | 5000K | 7860 | 65W | 121 | 1670x70x93 | Direct 100% | L80/B20 |

| Product Code Option Available: | Accessories |
|-----------------------------------|---|
| DALI LLNS12WO48D40 | Suspension Kit LUSusC - Cable 1/1.5 (2pcs per fitting) Set for Line Mounting LUSMECON - Mechanical Connector LUSELCON - Electrical Connector LUSMICON - Middle Connector LUSLCCON - L Shape Corner Connector LUSECAPS - End caps for single and continuous luminaire |
| EMERGENCY LLNS12WO48E40 | |

Accessories



L Corner Connector



Middle Connector

Note:

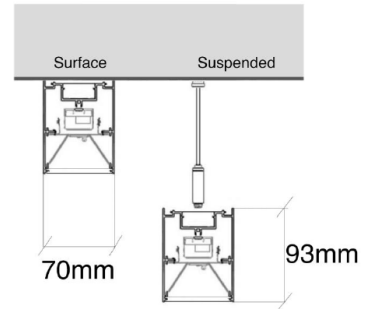
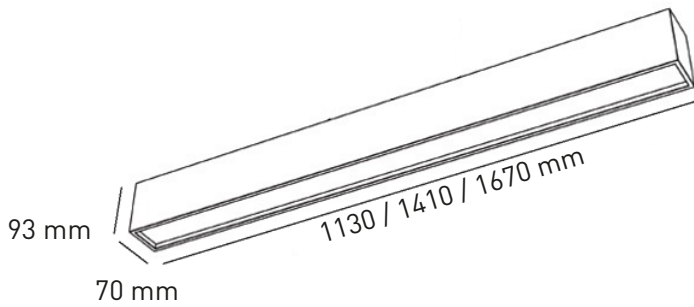
Line Continuous Mounting

- For 1st type luminaires - first luminaire in each line (mechanical + electrical connector)
- For end type luminaires - end luminaire in each line (mechanical + electrical connector)
- For middle type luminaires - all luminaires between first and last luminaires in each line - 2x(mechanical + electrical connector)
- For rectangular shape need to add L shape corner connector

*** PRODUCT CUSTOMIZATION ***

Product code shown above are standard
 Product customization is available base on project requirements

Product Drawing



Product Installation

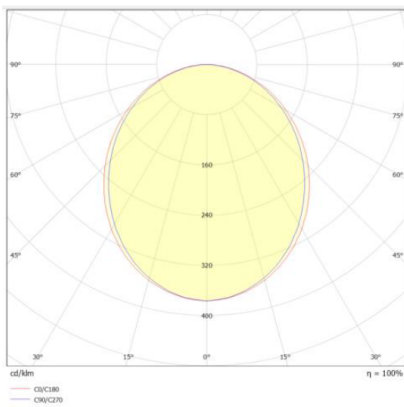


Rectangular Shape Surface/Suspended



Continuous Surface/Suspended

Light Distribution



| STANDARD | DESCRIPTION |
|---------------|--|
| EN 60598-1 | Luminaires – General requirements |
| EN 60598-2-1 | Luminaires – Fixed general purpose |
| EN 60598-2-22 | Luminaires – Emergency |
| EN 61000-3-2 | Electromagnetic compatibility (EMC) – Part 3-2: Limits - for harmonic current emissions |
| EN 61000-3-3 | Limits - Limitation of voltage changes, voltage fluctuations and flicker in public low-voltage supply systems, for equipment with rated current ≤ 16 A per phase and not subject to conditional connection |
| EN 61547 | Equipment for general lighting purposes – EMC immunity requirements |
| EN 55015 | Limits and methods of measurement of radio disturbance characteristics of electrical lighting and similar equipment |

LUCECO

This luminaire contains built-in LED lamps.

A++

A+

A

~~B~~

~~C~~

~~D~~

~~E~~

}

LED

The lamps cannot be changed in the luminaire.

874/2012