

PLATINUM MICRO

Product Features

- Die-cast aluminium body designed to provide optimal thermal control with aluminium bezel with aluminium reflector
- Anti-Glare by design perfect for Reception and Lobby Areas
- Recessed mounted with spring steel clips allows installation into plasterboard and suspended ceiling systems



CAT NO.	DRIVER	LUMINAIRE LUMENS	WATTAGE	EFFICACY Lm/cW
Fixed 55mm Cutout				
LDPMC55W350G30-ME	Fixed Output	350	5W	70
LDPMC55W350G40-ME	Fixed Output	350	5W	70
Adjustable 55mm Cutout				
LDPMCA55W350G30-ME	Fixed Output	350	5W	70
LDPMCA55W350G40-ME	Fixed Output	350	5W	70
Fixed 75mm Cutout				
LDPMC75W800G30-ME	Fixed Output	800	10W	80
LDPMC75W800G40-ME	Fixed Output	800	10W	80
Adjustable 75mm Cutout				
LDPMCA75W800G30-ME	Fixed Output	800	10W	80
LDPMCA75W800G40-ME	Fixed Output	800	10W	80
Fixed 100mm Cutout				
LDPMC100W1200G30-ME	Fixed Output	1200	15W	80
LDPMC100W1200G40-ME	Fixed Output	1200	15W	80
Adjustable 100mm Cutout				
LDPMCA100W1200G30-ME	Fixed Output	1200	15W	80
LDPMCA100W1200G40-ME	Fixed Output	1200	15W	80



LDPMC55W350G30



LDPMCA55W350G30



LDPMC75W800G30



LDPMCA75W800G30



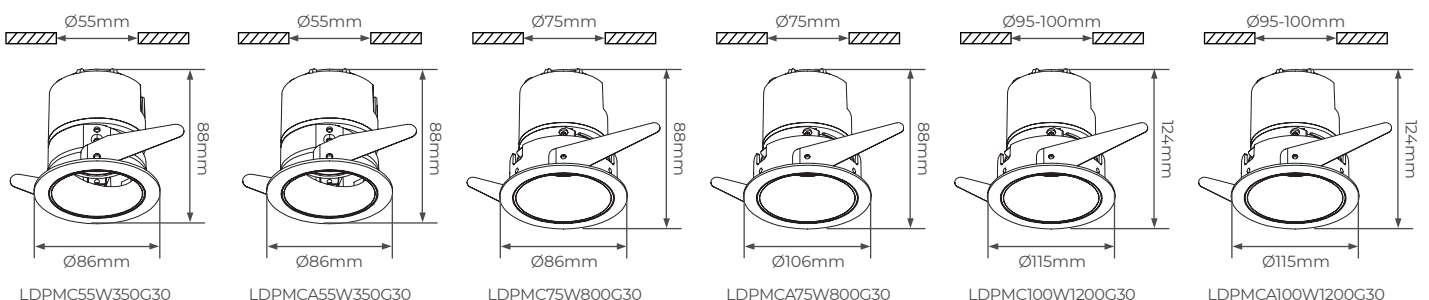
LDPMC100W1200G30



LDPMCA100W1200G30

PRODUCT OPTIONS

Gold Reflector	Insert GL , eg. LDPMC55W350 GL 30
Black Reflector	Insert BL , eg. LDPMC55W350 BL 30
Black Nickel Reflector	Insert BN , eg. LDPMC55W350 BN 30



CAT NO.	DRIVER	LUMINAIRE LUMENS	WATTAGE	EFFICACY Lm/cW
Narrow 75mm Cutout				
LDPMCN75W800G30-ME	Fixed Output	800	10W	80
LDPMCN75W800G40-ME	Fixed Output	800	10W	80
Narrow Adjustable 75mm Cutout				
LDPMCNA75W800G30-ME	Fixed Output	800	10W	80
LDPMCNA75W800G40-ME	Fixed Output	800	10W	80
Fixed Trimless 75mm Cutout				
LDPMCT75W800G30-ME	Fixed Output	800	10W	80
LDPMCT75W800G40-ME	Fixed Output	800	10W	80
Adjustable Trimless 75mm Cutout				
LDPMCTA75W800G30-ME	Fixed Output	800	10W	80
LDPMCTA75W800G40-ME	Fixed Output	800	10W	80
Square 75x75mm Cutout				
LDPMCSQ75W800G30-ME	Fixed Output	800	10W	80
LDPMCSQ75W800G40-ME	Fixed Output	800	10W	80
Square Trimless 75x75mm Cutout				
LDPMCSQT75W800G30-ME	Fixed Output	800	10W	80
LDPMCSQT75W800G40-ME	Fixed Output	800	10W	80



LDPMCN75W800G30



LDPMCNA75W800G30



LDPMCT75W800G30



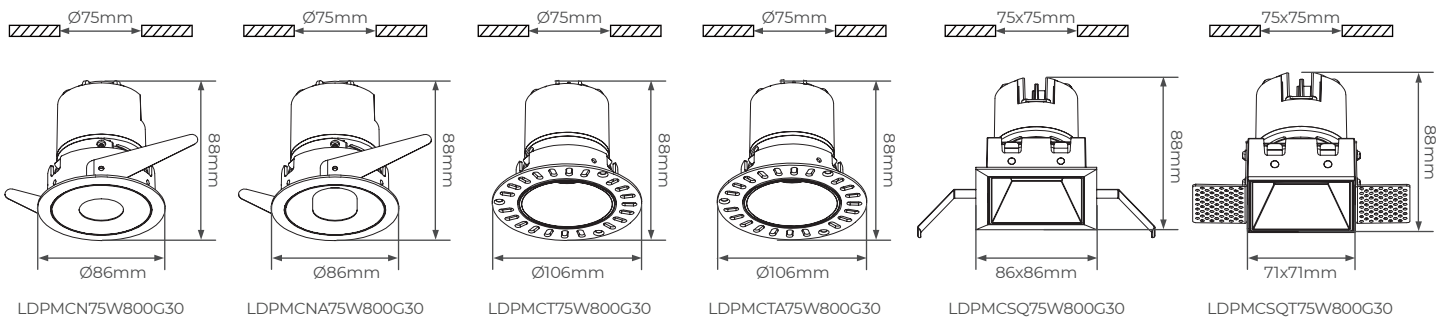
LDPMCTA75W800G30



LDPMCSQ75W800G30



LDPMCSQT75W800G30



STANDARD	DESCRIPTION
EN 60598-1	Luminaires – General requirements
EN 60598-2-2	Luminaires – Recessed
EN 61000-3-2	Electromagnetic compatibility (EMC) – Part 3-2: Limits - for harmonic current emissions
EN 61000-3-3	Limits - Limitation of voltage changes, voltage fluctuations and flicker in public low-voltage supply systems, for equipment with rated current ≤ 16 A per phase and not subject to conditional connection
EN 61547	Equipment for general lighting purposes – EMC immunity requirements
EN 55015	Limits and methods of measurement of radio disturbance characteristics of electrical lighting and similar equipment

