

INDUS PRO

LINKABLE HIGH OUTPUT LINEAR



- Supplied with mounting brackets and end caps
- Mounting brackets suitable for surface, trunking or suspension mounting
- Housing in metal sheet with white powder coated RAL 9003 finish
- Optical Lenses
- Ambient Temperature: -20 to + 45 °C
- L80/B20 at 80,000 hrs life
- IP54 & IP65 Rating available upon request



Surface/Suspended Modules

1200mm

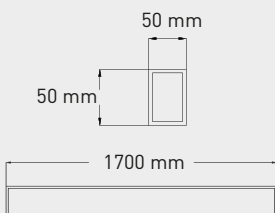
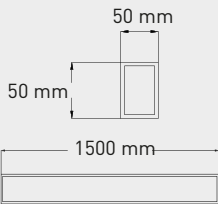
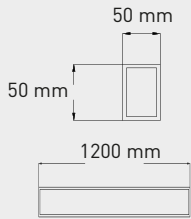
PART NO.	DRIVER	PRODUCT DIMENSION L x W x H	BEAM ANGLE	LUMINAIRE LUMENS (Llm)	WATTAGE (W)	EFFICACY (Llm/W)
LHOL12W26S1R40S40-90	Standard	1200x50x50mm	90°	4000	26	154
LHOL12W26S1R40D40-90	DALI	1200x50x50mm	90°	4000	26	154
LHOL12W27S1R37S40-90	Standard	1200x50x50mm	90°	3700	27	137
LHOL12W27S1R37D40-90	DALI	1200x50x50mm	90°	3700	27	137
LHOL12W35S1R53S40-90	Standard	1200x50x50mm	90°	5250	35	150
LHOL12W35S1R53D40-90	DALI	1200x50x50mm	90°	5250	35	150
LHOL12W36S1R49S40-90	Standard	1200x50x50mm	90°	4900	36	136
LHOL12W36S1R49D40-90	DALI	1200x50x50mm	90°	4900	36	136

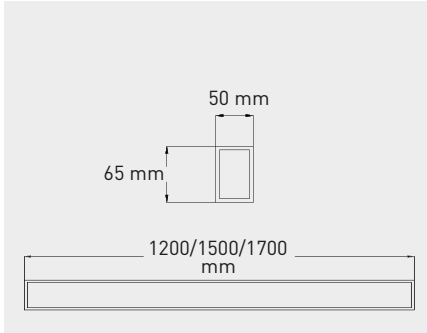
1500mm

PART NO.	DRIVER	PRODUCT DIMENSION L x W x H	BEAM ANGLE	LUMINAIRE LUMENS (Llm)	WATTAGE (W)	EFFICACY (Llm/W)
LHOL15W37S1R57S40-90	Standard	1500x50x50mm	90°	5650	37	153
LHOL15W37S1R57D40-90	DALI	1500x50x50mm	90°	5650	37	153
LHOL15W38S1R52S40-90	Standard	1500x50x50mm	90°	5200	38	137
LHOL15W38S1R52D40-90	DALI	1500x50x50mm	90°	5200	38	137
LHOL15W50S1R74S40-90	Standard	1500x50x50mm	90°	7400	50	148
LHOL15W50S1R74D40-90	DALI	1500x50x50mm	90°	7400	50	148
LHOL15W50S1R68S40-90	Standard	1500x50x50mm	90°	6800	50	136
LHOL15W50S1R68D40-90	DALI	1500x50x50mm	90°	6800	50	136

1800mm

PART NO.	DRIVER	PRODUCT DIMENSION L x W x H	BEAM ANGLE	LUMINAIRE LUMENS (Llm)	WATTAGE (W)	EFFICACY (Llm/W)
LHOL17W52S1R79S40-90	Standard	1700x50x50mm	90°	7850	52	151
LHOL17W52S1R79D40-90	DALI	1700x50x50mm	90°	7850	52	151
LHOL17W54S1R73S40-90	Standard	1700x50x50mm	90°	7300	54	135
LHOL17W54S1R73D40-90	DALI	1700x50x50mm	90°	7300	54	135
LHOL17W60S1R89S40-90	Standard	1700x50x50mm	90°	8900	60	148
LHOL17W60S1R89D40-90	DALI	1700x50x50mm	90°	8900	60	148
LHOL17W63S1R86S40-90	Standard	1700x50x50mm	90°	8560	63	136
LHOL17W63S1R86D40-90	DALI	1700x50x50mm	90°	8560	63	136



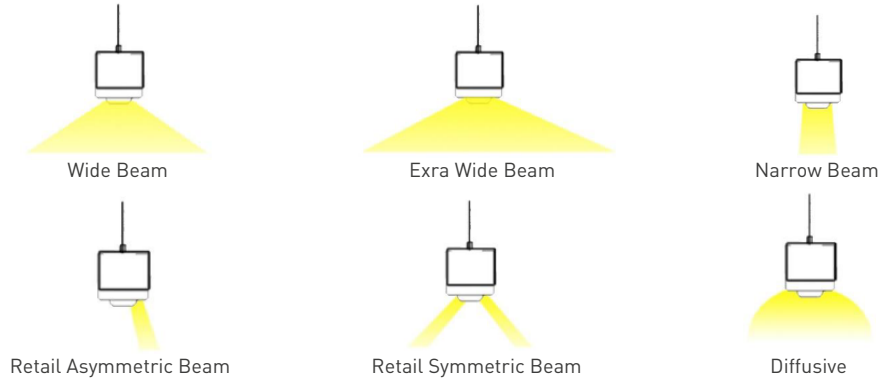


1200/1500/1800mm

PART NO.	DRIVER	PRODUCT DIMENSION L x W x H	BEAM ANGLE	LUMINAIRE LUMENS (Llm)	WATTAGE (W)	EFFICACY (Llm/W)
LHOL12W48S3R68S40-90	Standard	1200x50x65mm	90°	6800	48	142
LHOL12W48S3R68D40-90	DALI	1200x50x65mm	90°	6800	48	142
LHOL15W60S3R86S40-90	Standard	1500x50x65mm	90°	8550	60	143
LHOL15W60S3R86D40-90	DALI	1500x50x65mm	90°	8550	60	143
LHOL17W72S3R102S40-90	Standard	1700x50x65mm	90°	10200	72	142
LHOL17W72S3R102D40-90	DALI	1700x50x65mm	90°	10200	72	142

BEAM ANGLE

TYPE OF LENSES	SUFFIX
Diffusive	DF
Narrow 30°	30
Wide 60°	60
Wide 90°	90
Extra Wide 110°	110
Retail Symmetric	RS
Retail Asymmetric	RAS

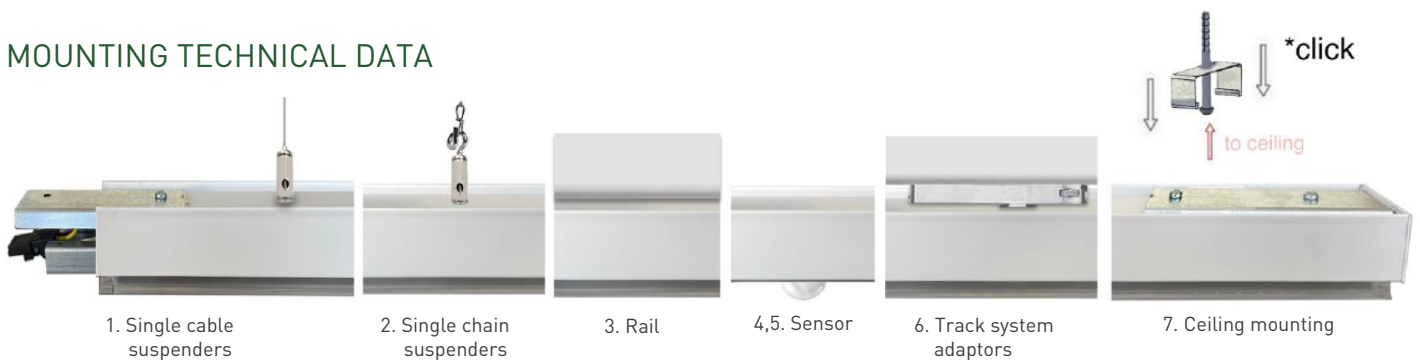


Product Code Selection:

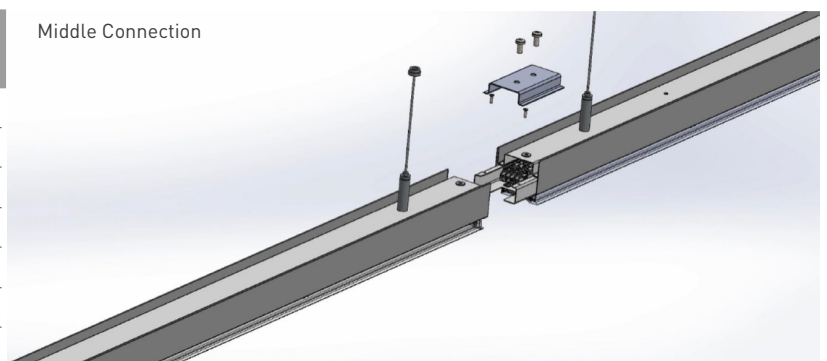
Beam Angle Available
LHOL12W26S1R40S40-(Suffix)

Product CCT Available:
Color Temperature - LHOL12W26S1R40S30/3000K - 50/5000K


MOUNTING TECHNICAL DATA



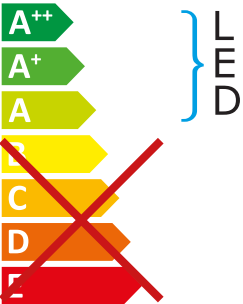
TYPE OF ACCESSORIES	CODE
1. Single cable suspenders 1.5M (2pcs/fitting)	LUSusC 1/1.5
2. Single chain suspenders 1.5M (2pcs/fitting)	LUSusCh 1/1.5
3. Rail connection	LURaCo
4. Motion sensor	LUMoSe
5. Daylight sensor	LUDaSe
6. Track system adaptors	LUTraAdp
7. Ceiling mounting	LUCeMount



LUCECO




This luminaire contains built-in LED lamps.



LED

The lamps cannot be changed in the luminaire.

874/2012 

STANDARDS

EN 60598-1	Luminaires - General requirements
EN 60598-2-1	Luminaires - Fixed general purpose
EN 60598-2-2	Luminaires - Recessed
EN 60598-2-22	Luminaires - Emergency
EN 61347-1	Lamp controlgear - Part 1: General and safety requirements
EN 61347-2-13	Lamp controlgear - Part 2-13 : Particular requirements for d.c. or a.c. supplied electronic controlgear for LED modules
EN 55015	Limits and methods of measurement of radio disturbance characteristics of electrical lighting and similar equipment
EN 61547	Equipment for general lighting purposes - EMC immunity requirements
EN 61000-3-2	Electromagnetic compatibility (EMC) - Part 3-2: Limits - for harmonic current emissions
EN 62471	Photobiological safety of lamps and lamp systems
2002/96/EC	Waste Electrical & Electronic Equipment (WEEE)
2011/65/EU	Restriction of the use of certain Hazardous Substances in EEE (RoHS)
(EC) No 1907/2006	The Registration, Evaluation, Authorisation and Restriction of Chemicals (REACH)



RoHS



