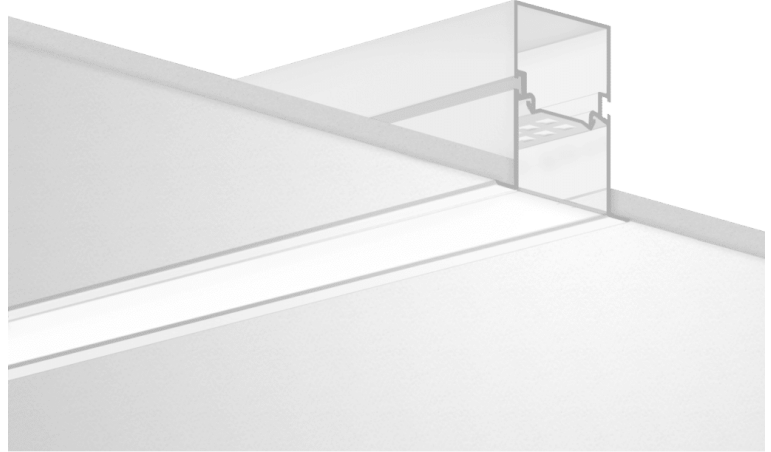


LINEA 50 LINEAR SYSTEM Recessed

Product Features

- Aluminium housing & end caps
- Microprismatic diffuser
- Rated Voltage: 220-240 V ±10%
- Mains frequency: 50-60 Hz
- Maximum ambient temperature: ta = 45 °C
- Minimum ambient temperature: ta = -10 °C
- Module temperature - tc: 85°C
- Minimum colour tolerance: 3MacAdam (3SDCM)
- Lifetime: 80 000 hours / L80B20 at tc=85 °C / ITM21
- Production tolerance of luminous flux and efficiency: ±10%
- Functions:
 - On / Off – Selectable current output via DIP switch
 - DALI – Push switch
 - Light output level in DC operation:
 - Programmable 1-100%



CAT NO.	DRIVER	CCT	LUMINAIRE LUMENS	WATTAGE	EFFICACY Lm/cW	DIMENSION (LxWxH-mm)	LIGHT DISTRIBUTION	L/B RATED LIFE
600mm								
LLN50R06WO15S30	Fixed Output	3000K	1500	12W	125	570x75x65	Direct 100%	L80/B20
LLN50R06WO17S40	Fixed Output	4000K	1650	12W	138	570x75x65	Direct 100%	L80/B20
1200mm								
LLN50R2WO30S30	Fixed Output	3000K	3000	24W	125	1130x75x65	Direct 100%	L80/B20
LLN50R12WO33S40	Fixed Output	4000K	3300	24W	138	1130x75x65	Direct 100%	L80/B20
1500mm								
LLN50R15WO38S30	Fixed Output	3000K	3750	30W	125	1410x75x65	Direct 100%	L80/B20
LLN50R15WO41S40	Fixed Output	4000K	4135	30W	138	1410x75x65	Direct 100%	L80/B20
1700mm								
LLN50R17WO45S30	Fixed Output	3000K	4500	36W	125	1690x75x65	Direct 100%	L80/B20
LLN50R17WO50S40	Fixed Output	4000K	4960	36W	138	1690x75x65	Direct 100%	L80/B20
2300mm								
LLN50R23WO60S30	Fixed Output	3000K	6000	48W	125	2250x75x65	Direct 100%	L80/B20
LLN50R23WO66S40	Fixed Output	4000K	6600	48W	138	2250x75x65	Direct 100%	L80/B20

Product Code Option Available:	Accessories
DALI LLN50R12WO33D40	Set for Line Mounting LUSMECON - Mechanical Connector LUSELCON - Electrical Connector LUSMICON - Middle Connector LUSLCCON - L Shape Corner Connector LUSECAPS - End caps for single and continuous luminaire
EMERGENCY LLN50R12WO33E40	

Note:

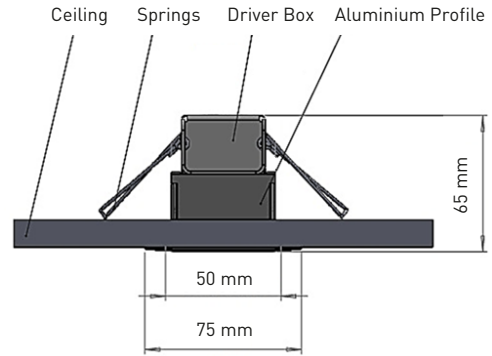
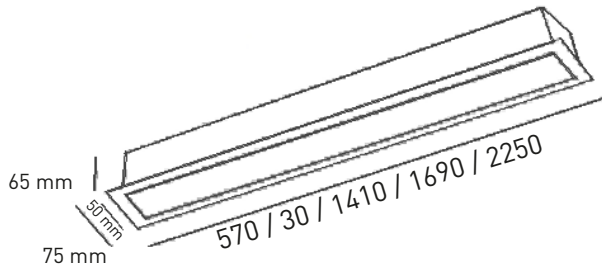
Line Continuous Mounting

For 1st type luminaires - first luminaire in each line (mechanical + electrical connector)
 For end type luminaires - end luminaire in each line (mechanical + electrical connector)
 For middle type luminaires - all luminaires between first and last luminaires in each line - 2x(mechanical + electrical connector)
 For rectangular shape need to add L shape corner connector

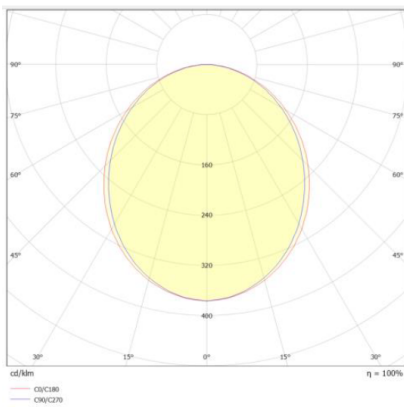
*** PRODUCT CUSTOMIZATION ***

- Product code shown above are standard
- Product customization is available base on project requirements

Product Drawing




Light Distribution



STANDARD	DESCRIPTION
EN 60598-1	Luminaires – General requirements
EN 60598-2-1	Luminaires – Fixed general purpose
EN 60598-2-22	Luminaires – Emergency
EN 61000-3-2	Electromagnetic compatibility (EMC) – Part 3-2: Limits - for harmonic current emissions
EN 61000-3-3	Limits - Limitation of voltage changes, voltage fluctuations and flicker in public low-voltage supply systems, for equipment with rated current ≤ 16 A per phase and not subject to conditional connection
EN 61547	Equipment for general lighting purposes – EMC immunity requirements
EN 55015	Limits and methods of measurement of radio disturbance characteristics of electrical lighting and similar equipment

LUCECO

 This luminaire contains built-in LED lamps.

A++

A+

A

~~B~~

~~C~~

~~D~~

~~E~~

}

LED

The lamps cannot be changed in the luminaire.

874/2012 