

## LED PLATINUM RECESSED DOWNLIGHT Bezel Accessories



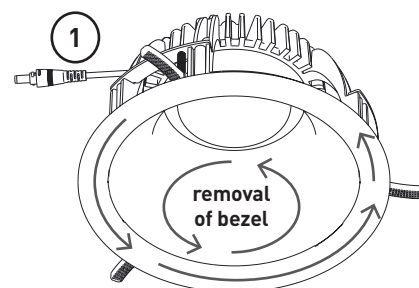
**PART CODE: LDPBPC, LDPBBS, LDPBWHDF, LDPBWHDH,  
LDPBPCDF, LDPBPCDH, LDPBBSDF, LDPBBSDH**



- Luminaire is not suitable for use with blanket insulation.
- This product is only suitable for indoor use.

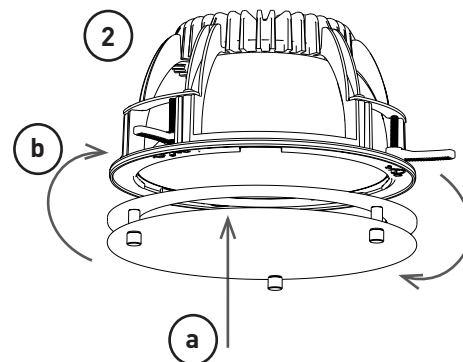
**NOTE** – To comply with regulations, Installation must be carried out by suitably qualified competent person and in accordance with the current IEE Wiring Regulations (BS7671) and Building Regulations. A copy of the instructions must be left for the user/Maintenance engineer for future reference.

**ENSURE ELECTRICAL SUPPLY IS DISCONNECTED/  
ISOLATED BEFORE COMMENCING INSTALLATION**



### INSTRUCTIONS FOR NEW INSTALLATIONS

1. Twist Bezel on luminaire anti-clockwise to remove.
2. Locate new bezel into fixing points ( a ), Rotate clockwise until tight ( b )
3. Turn on power and operate the downlight as required.



#### United Kingdom Warranty

For other territories and for further information, please see [www.luceco.uk](http://www.luceco.uk) for details

Products are protected by warranty for a period of 3 year warranty, from date of purchase against defects in material and workmanship (unless otherwise stated). Should a product fail to perform as described within the warranty period it will be repaired or replaced with the same or equivalent product by Luceco, free of charge provided that you: (1) return the product to us with shipping charge prepaid, (2) provide us with proof of the original date of purchase and (3) quote our return authorization number.

Repaired or replaced products will be returned to you with shipping charges prepaid. Replacement products may be refurbished or contain refurbished materials. If in our sole discretion, we are unable to repair or replace a defective product, we will refund the purchase price of the product.

This warranty will not apply if in our judgment, the product fails due to damage in shipment, handling, storage, accident, abuse or misuse, or if it has been used in a manner not conforming to our product instructions, has been modified in any way, or has any serial number removed or defaced. Repair or attempted repair will void this warranty. Our maximum liability under the terms of this warranty is limited to the purchase price of the product covered by the warranty.

The warranty is given under English Law. If any part of this warranty is deemed unenforceable (including any provision in which we exclude our liability to you) the enforceability of any other parts of the warranty will not be affected. These terms do not reduce your statutory rights.

**THESE TERMS AND CONDITIONS ARE SUBJECT TO CHANGE WITHOUT PRIOR NOTICE**

Tech Help Line

UK - **0845 194 7584**

Non UK - **+44 (0)1952 238 100**

Supplied by

BG Electrical Ltd

Stafford Park 1 TF3 3BD ENGLAND

Visit our website at

**[www.luceco.uk](http://www.luceco.uk)**