

APPROVALS:

TYPE:  
NOTES:

JOB:

## BULLET FLOOD - LFLB

### FEATURES

- DLC listed outdoor round spot
- Die-cast aluminum housing
- One piece construction with integrated heat sink
- Integrated shield for optimal directional performance
- Replaces 100W metal halide



### PRODUCT SPECIFICATIONS

INPUT VOLTAGE:

- 120-277V

CONSTRUCTION:

- Die-cast aluminum housing
- One piece construction with integrated heat sink
- Integrated shield for optimal directional performance
- Sealed, gasketed driver compartment

BODY FINISH:

- UV resistant powdercoat finish in Architectural Bronze
- All parts painted after fabrication to facilitate safe installation with smooth edges, increase efficiency, and inhibit corrosion

LENS: Impact resistant lens

BEAM ANGLE: 44°

MOUNTING: Knuckle mount

COLOR TEMPERATURE: 5000K as standard. Other color temps available, subject to minimum quantity.

CRI: Up to 70

EFFICACY: Up to 125lm/W

IGNITION TIME: Less than 1sec.

OPERATING TEMPERATURE: -20°C to 40°C

POWER FACTOR: Greater than 0.90

IP RATING: IP65

### ORDERING MATRIX

Sample Number: LFLBBZ2M50G1NNBKN-US

PREFIX	LUMENS	VOLTAGE	CCT	GENERATION	DIMMING	BEAM ANGLE	MOUNT	COUNTRY CODE
LFLBBZ	2 = 2500lm (20W) 3 = 3300lm (30W)	M = 120-277V	50 = 5000K 40 = 4000K 30 = 3000K	G1	N = Non-dimming	NB = 44°	KN = Knuckle Mount	-US

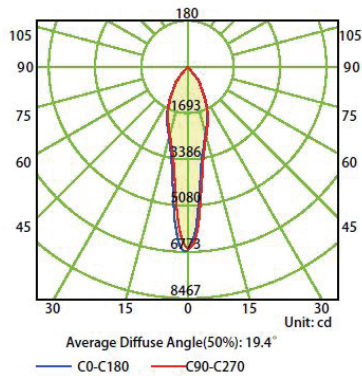
US Help line - **1 800 645-6460**  
p - **281 978-2509**  
e - **us\_sales@luceco.com**

Luceco Inc  
11050 West Little York Rd Building C-1  
Houston, TX 77041

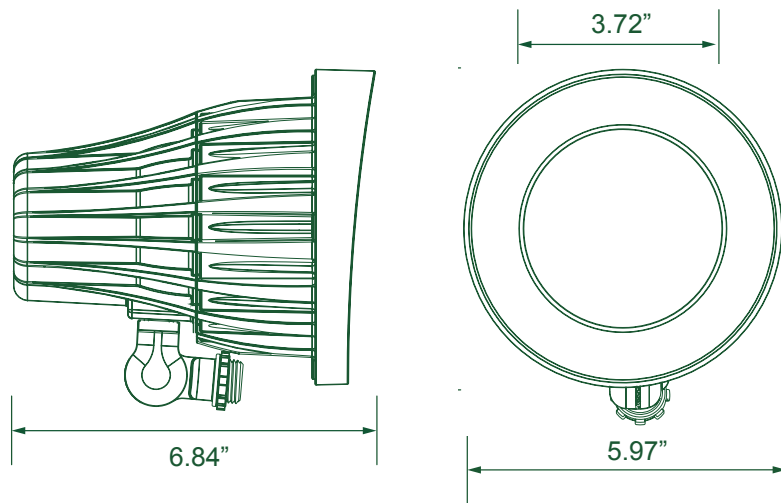
Visit our website at

**www.luceco.com**

## POLAR CANDELA DISTRIBUTION



## DIMENSIONS



## STANDARDS

RoHS	Complies with restriction of the use of certain hazardous substances
UL	Luminaires, light-emitting-diode
DLC	Design Lights Consortium listed high-performance, energy-efficient luminaires



RoHS



## ATTRIBUTES

PART NUMBER	WATTAGE	LUMENS	lm/W
LFLBBZ2	20W	2500lm	125
LFLBBZ3	30W	3300lm	110

\*Note: Actual performance may differ due to end user application or environment. All values are design or typical values.

For a full and accurate list of current DLC products, please visit the DLC Qualified Products list.

US Help line - **1 800 645-6460**  
 p - **281 978-2509**  
 e - **us\_sales@luceco.com**

Luceco Inc  
 11050 West Little York Rd Building C-1  
 Houston, TX 77041

Visit our website at

[www.luceco.com](http://www.luceco.com)