

APPROVALS:

TYPE:
NOTES:

JOB:

LARGE SQUARE FLOOD - LFSM

FEATURES

- Rugged, die-cast aluminum housing
- Available in knuckle, trunnion, and slipfitter mounting styles
- IP66



70-200W w/
Trunnion

70-200W w/
Slipfitter

70W w/
Knuckle

PRODUCT SPECIFICATIONS

INPUT VOLTAGE:

- 120-277V

CONSTRUCTION:

- Die-cast aluminum body with integrated heat sink
- Gasket-sealed driver compartment
- Multiple mounting styles for ease of installation

BODY FINISH:

- UV resistant Architectural Bronze. Other colors available; subject to minimum quantity.
- All parts painted after fabrication to facilitate safe installation with smooth edges, increase efficiency, and inhibit corrosion

LENS:

- Tempered glass
- Vandal and impact resistant
- Fully sealed for LED protection
- Uniform light; low glare

BEAM ANGLE: Wide NEMA 6x6

MOUNTING OPTIONS:

- Knuckle mount
- Slipfitter mount
- Trunnion mount

CONTROLS: 140W and 200W are photocell compatible

COLOR TEMPERATURE: 5000K as standard. Other color temps available; subject to minimum quantity.

CRI: Greater than 72

EFFICACY: Up to 121lm/W

IGNITION TIME: Less than 1sec.

ENVIRONMENTAL REQUIREMENTS: -20°C to 45°C

POWER FACTOR: Greater than 0.90

IP RATING: IP66

ORDERING MATRIX

Sample Number: LFSMBZ8M50G1NKN-US

PREFIX	BODY COLOR	LUMENS	VOLTAGE	CCT	GENERATION	DIMMING	MOUNT	COUNTRY CODE
LFSM	BZ = Bronze	8 = 8500lm (70W)	M=120-277V	50=5000K	G1	N = Non-dimming	KN = Knuckle TR = Trunnion SF = Slipfitter	-US
LFSM	BZ = Bronze	10 = 11000lm (90W) 11 = 12500lm (110W)	M=120-277V	50=5000K	G1	N = Non-dimming	TR = Trunnion SF = Slipfitter	-US
LFSM	BZ = Bronze	16 = 16500lm (140W) 23 = 23000lm (200W)	M=120-277V	50=5000K	G1	N = Non-dimming	TR = Trunnion SF = Slipfitter	-US

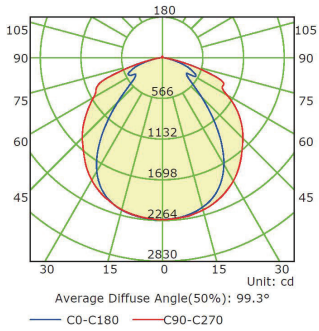
p - 281-978-2509
e - us_sales@luceco.com

Luceco Inc
3010 Claymoore Park Drive,
Houston, TX 77043

Visit our website at

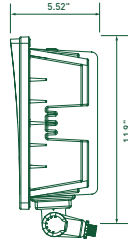
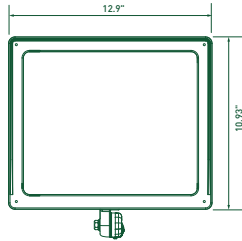
www.luceco.com

POLAR CANDELA DISTRIBUTION

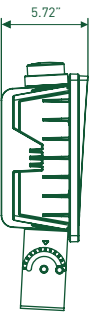
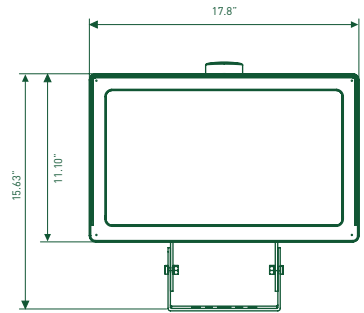


DIMENSIONS

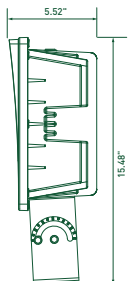
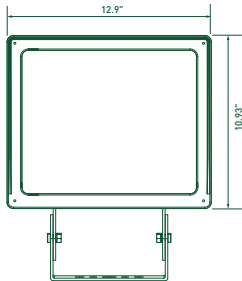
**Knuckle Mount
70W**



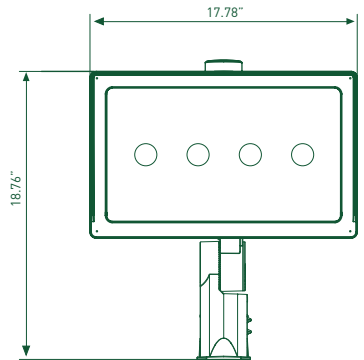
**Trunnion Mount
140-200W**



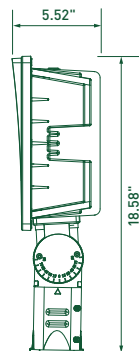
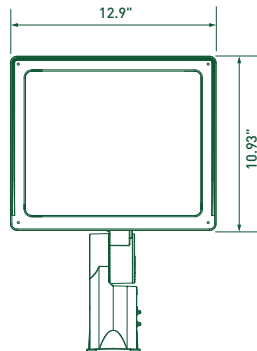
**Trunnion Mount
90-110W**



**Slipfitter Mount
140-200W**



**Slipfitter Mount
90-110W**



STANDARDS

RoHS	Complies with restriction of the use of certain hazardous substances
UL	Luminaires, light-emitting-diode
DLC	Design Lights Consortium listed high-performance, energy-efficient luminaires



RoHS



ATTRIBUTES

PART NUMBER	WATTAGE	LUMENS	EFFICACY
LFSMBZ8	70W	8500lm	121lm/W
LFSMBZ10	90W	11000lm	122lm/W
LFSMBZ11	110W	12500lm	113lm/W
LFSMBZ16	140W	16500lm	117lm/W
LFSMBZ23	200W	23000lm	115lm/W