

APPROVALS:

TYPE:
NOTES:

JOB:

LED READY VAPOR TIGHT - LVPT

PRODUCT SPECIFICATIONS

INPUT VOLTAGE:

- 120-277V

CONSTRUCTION:

- Heavy-duty polycarbonate body
- Stainless steel clips

BODY FINISH: Gray

LENS:

- Impact resistant clear lens
- Secondary vapor-tight clear lens

NET WEIGHT: 11.6 Lbs

MOUNTING OPTIONS:

- Provision for stem mount as standard
- Surface mount bracket (Sold separately)

EFFICACY: Up to 100 Lm/W

IGNITION TIME: Less than 1sec.

OPERATING TEMPERATURE: -20°C to 40°C

POWER FACTOR: Greater than 0.9

IP RATING: IP65



FEATURES

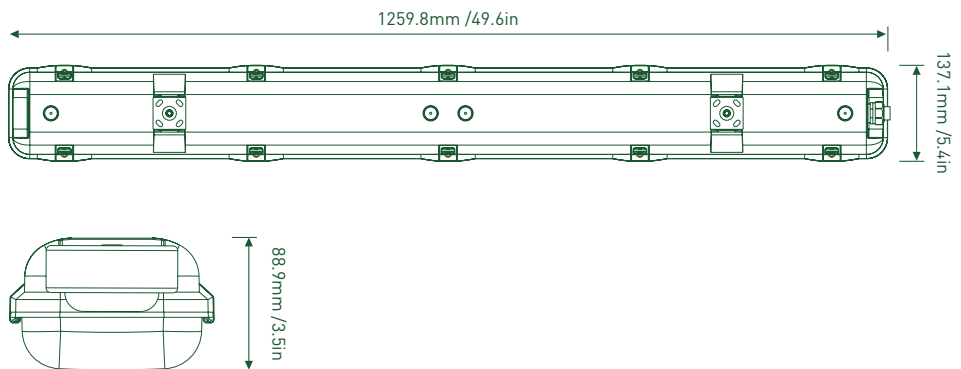
- Economical LED IP65 Vapor Tight solution
- Easy lamp replacement
- Dual T8 design
- T8 bypass lamps sold separately

STANDARDS

RoHS	Complies with restriction of the use of certain hazardous substances
UL	Luminaires, light-emitting-diode
LM-79	IESNA method for the electrical and photometric measurements of LED light products
LM-80	IESNA method for measuring lumen maintenance of LED light sources
TM-21	IESNA method for projecting the lumen maintenance of LED light products



DIMENSIONS



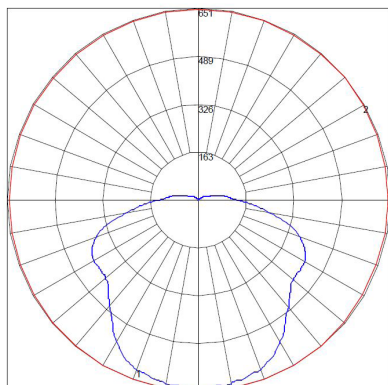
US Help line - **1 800 645-6460**
p - **281 978-2509**
e - **us_sales@luceco.com**

Luceco Inc
11050 West Little York Rd Building C-1
Houston, TX 77041

Visit our website at

www.luceco.com

POLAR CANDELA DISTRIBUTION



ORDERING

MODEL NUMBER	LED TUBE COMPATIBILITY
LVPTGRCPTD43MG140N-US	Up to 44w fixture total maximum wattage

ACCESSORIES

MODEL NUMBER	ACCESSORY
LVPTSCMB-US	Surface Mount Bracket
MC031VD	Occupancy Sensor