

APPROVALS:

TYPE:
NOTES:

JOB:

VAPOR TIGHT - LVPT

PRODUCT SPECIFICATIONS

INPUT VOLTAGE:

- 120-277V

CONSTRUCTION:

- Heavy-duty polycarbonate body
- Stainless steel clips

BODY FINISH: Gray

LENS:

- Impact resistant opal diffuser to reduce glare
- Secondary vapor-tight clear lens

NET WEIGHT: 11.6 Lbs

BEAM ANGLE: 150°

CONTROL OPTIONS:

- 0-10V Dimming

MOUNTING OPTIONS:

- Provision for stem mount as standard
- Surface mount bracket (Sold separately)

COLOR TEMPERATURE: 4000K as standard

CRI: Greater than 80

EFFICACY: Up to 100 Lm/W

IGNITION TIME: Less than 1sec.

OPERATING TEMPERATURE: -20°C to 40°C

POWER FACTOR: Greater than 0.9

IP RATING: IP65

LUMEN MAINTENANCE [at 25°C]:

- Greater than L70 at 75,000 hrs



FEATURES

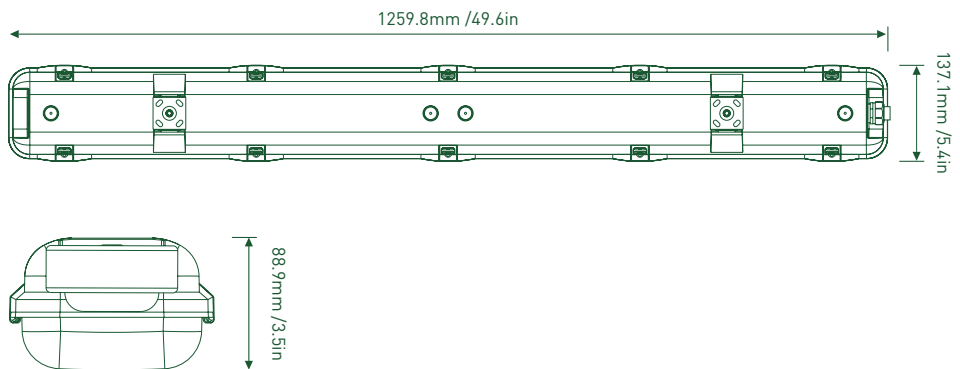
- DLC listed IP65 Vapor Tight
- Uniform brightness with opal low glare diffuse lens
- Also available in an economical LED T8 bypass lamp version, see LED Ready Vapor Tight LVPT data sheet

STANDARDS

RoHS	Complies with restriction of the use of certain hazardous substances
UL	Luminaires, light-emitting-diode
DLC	Design Lights Consortium listed high-performance, energy-efficient luminaires
LM-79	IESNA method for the electrical and photometric measurements of LED light products
LM-80	IESNA method for measuring lumen maintenance of LED light sources
TM-21	IESNA method for projecting the lumen maintenance of LED light products



DIMENSIONS



US Help line - **1 800 645-6460**
p - **281 978-2509**
e - **us_sales@luceco.com**

Luceco Inc
11050 West Little York Rd Building C-1
Houston, TX 77041

Visit our website at

www.luceco.com

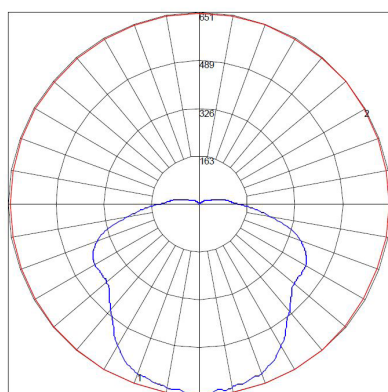
CCT



4000K
NEUTRAL
WHITE

4000K 'neutral white' color temperature as standard.

POLAR CANDELA DISTRIBUTION



ORDERING

MODEL NUMBER	DRIVER	LUMENS	WATTAGE	EFFICACY lm/W	CCT	DIMMING
LVPTGRCP22MG140N-US	Standard	2300	23W	100	4000K	-
LVPTGRCP22MG140D-US	Dimmable	2300	23W	100	4000K	DIM
LVPTGRCP22MG140DE-US	Emergency	2300	23W	100	4000K	DIM
LVPTGRCP22MG140DMS-US	Occupancy Sensor	2300	23W	100	4000K	DIM
LVPTGRCP44MG140N-US	Standard	4600	46W	100	4000K	-
LVPTGRCP44MG140D-US	Dimmable	4600	46W	100	4000K	DIM
LVPTGRCP44MG140DE-US	Emergency	4600	46W	100	4000K	DIM
LVPTGRCP44MG140DMS-US	Occupancy Sensor	4600	46W	100	4000K	DIM

ACCESSORIES

MODEL NUMBER	ACCESSORY
LVPTSCMB-US	Surface Mount Bracket
MC031VD	Occupancy Sensor

US Help line - **1 800 645-6460**
p - **281 978-2509**
e - **us_sales@luceco.com**

Luceco Inc
11050 West Little York Rd Building C-1
Houston, TX 77041

Visit our website at

www.luceco.com