

APPROVALS:

TYPE:
NOTES:

JOB:

PL RETROFIT LAMPS - PL

PRODUCT SPECIFICATIONS

INPUT VOLTAGE:

- 120V

Base:

- G24q socket, 4pin

BEAM DISTRIBUTION: 120°

COLOR TEMPERATURE: 4000K as standard. Other color temps available; subject to minimum quantity.

CRI: Greater than 80

IGNITION TIME: Less than 1sec.



FEATURES

- Plug-and-play LED replacement for CFL downlights
- Directly replaces 26W/32W/42W
- No mercury and no UV

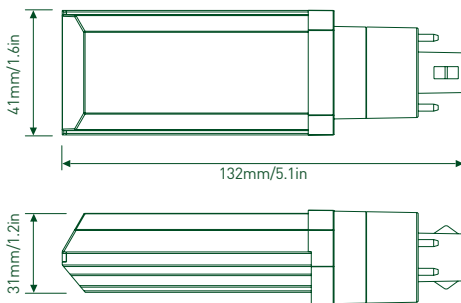
STANDARDS

RoHS	Complies with restriction of the use of certain hazardous substances
UL	Luminaires, light-emitting-diode

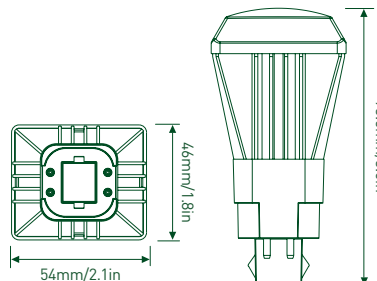


DIMENSIONS

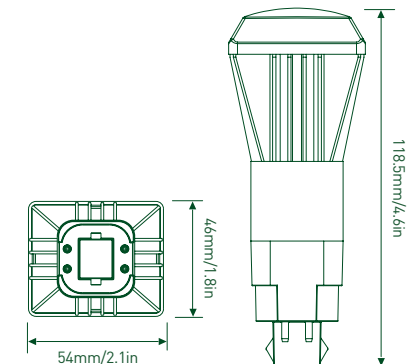
HORIZONTAL



VERTICAL SHORT



VERTICAL LONG



US Help line - **1 800 645-6460**
 p - **281 978-2509**
 e - **us_sales@luceco.com**

Luceco Inc
 11050 West Little York Rd Building C-1
 Houston, TX 77041

Visit our website at

www.luceco.com

CCT



4000K 'neutral white' color temperature as standard.

Other color temperatures available to order, subject to minimum requirement

2700K / 3000K

ORDERING

MODEL NUMBER	DESCRIPTION	LUMENS	WATTAGE
L10PLVG24QEG1LBC40-US	Vertical short	1000	10W
L10PLVLG24QEG1LBC40-US	Vertical long	1000	10W
L10PLHG24QEG1LBC40-US	Horizontal	1000	10W