

APPROVALS:

TYPE:
NOTES:

JOB:

AREA/ROADWAY - ST30

PRODUCT SPECIFICATIONS

INPUT VOLTAGE:

- 120-277V

CONSTRUCTION:

- Die-cast aluminum body with integral heat sink
- Gasket-sealed integral driver compartment
- Integral mounting arm adapter fits up to 2 3/8"

BODY FINISH: Architectural bronze powdercoat finish over a premium chromate conversion coating as standard.

LENS:

- Precision-molded, UV-stabilized polycarbonate optics
- Vandal and impact resistant
- Fully sealed for LED protection
- Uniform light; low glare

BEAM DISTRIBUTION:

- Type 3
- Medium Beam Spread

OPTIONS: Surge protection

CONTROL OPTIONS:

- Three pin NEMA twist-lock receptacle for photo control (controls not included)
- 0-10V Dimming

COLOR TEMPERATURE: 5000K as standard

CRI: Greater than 73

EFFICACY: Up to 101 Lm/W

IGNITION TIME: Less than 1sec.

OPERATING TEMPERATURE: -40°C to 50°C

IP RATING: IP67

BUG RATING: B4 U1 G2

EPA: 0.82 Sq. Ft.



FEATURES

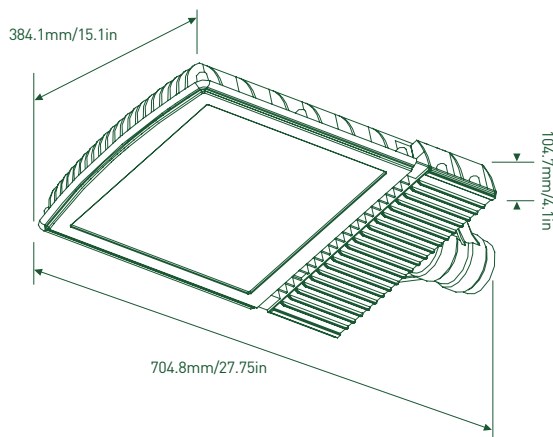
- Die-cast aluminum housing and frame
- Clear flat glass lens

STANDARDS

RoHS	Complies with restriction of the use of certain hazardous substances
UL	Luminaires, light-emitting-diode
DLC	Design Lights Consortium listed high-performance, energy-efficient luminaires
LM-79	IESNA method for the electrical and photometric measurements of LED light products
LM-80	IESNA method for measuring lumen maintenance of LED light sources
TM-21	IESNA method for projecting the lumen maintenance of LED light products



DIMENSIONS



For a full and accurate list of current DLC products, please visit the DLC Qualified Products List

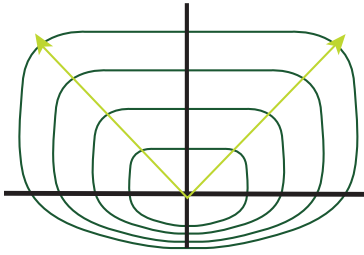
US Help line - **1 800 645-6460**
p - **281 978-2509**
e - **us_sales@luceco.com**

Luceco Inc
11050 West Little York Rd Building C-1
Houston, TX 77041

Visit our website at

www.luceco.com

DISTRIBUTION



Type 3

CCT

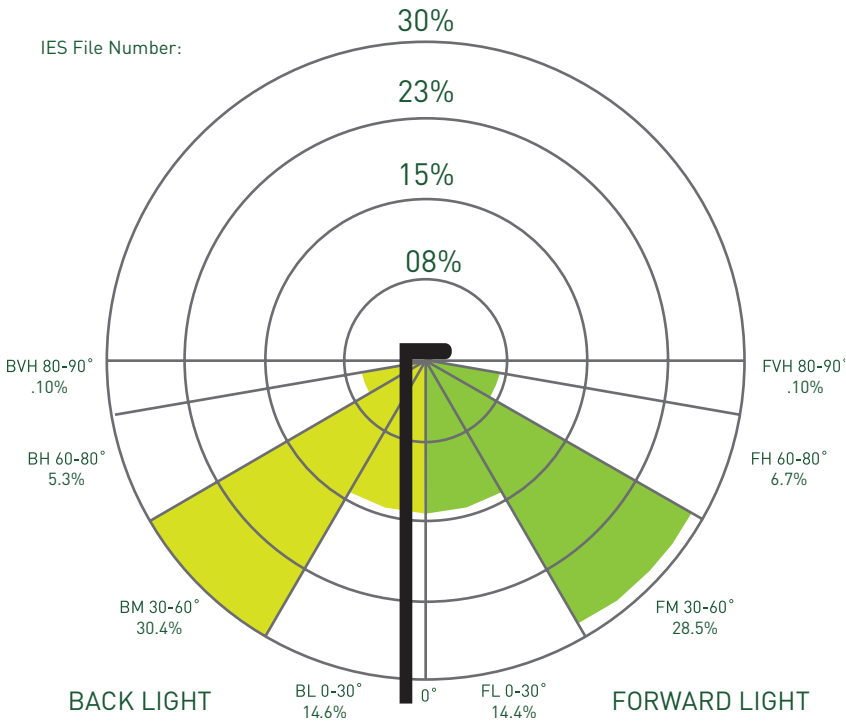


5000K
NEUTRAL
WHITE

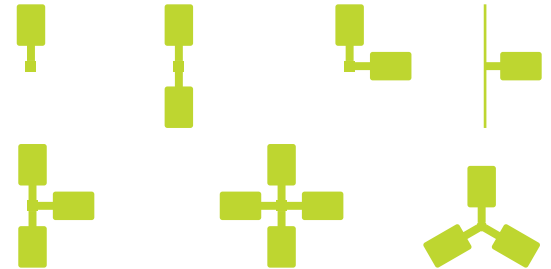
5000K 'neutral white' color temperature as standard.

CLS GRAPH

IES File Number:



MOUNTING CONFIGURATIONS



ORDERING MATRIX

EX:ST30QF1X167WU5KCZSP-US

PREFIX	OPTICS	WATTAGE	VOLTAGE	CCT	LENS	BODY COLOR	OPTION	-US
ST30Q	F1X= Medium Beam Spread C1X=Type 3	167W=17000Lm	U=120-277V	5K=5000K	C=Clear	Z=Bronze	SP=Surge Protection Blank=No Option	-US

US Help line - **1 800 645-6460**
p - **281 978-2509**
e - **us_sales@luceco.com**

Luceco Inc
11050 West Little York Rd Building C-1
Houston, TX 77041

Visit our website at

www.luceco.com