

APPROVALS:

TYPE:
NOTES:

JOB:

CONTEMPORARY SCONCE - WBB

FEATURES

- IP67 contemporary sconce
- Die-cast aluminum housing
- Vandal resistant screws
- Flush mount easy-install wall bracket
- Built-in level
- Available in round or square styles
- Optional surge protection
- 0-10V Dimmable



PRODUCT SPECIFICATIONS

INPUT VOLTAGE:

- 120-277V

CONSTRUCTION:

- Die-cast aluminum housing
- Flush mount easy-install wall bracket
- Built-in level
- Sealed driver compartment

BODY FINISH:

- Powdercoat finish in Architectural Bronze or Black
- All parts painted after fabrication to facilitate safe installation with smooth edges, increase efficiency, and inhibit corrosion

LENS: Clear lens

BEAM ANGLE: Type 5

CONTROL OPTIONS: 0-10V Dimmable

MOUNTING: Wall

COLOR TEMPERATURE: 4000K

CRI: Up to 80

EFFICACY: Up to 100lm/W

IGNITION TIME: Less than 1sec.

OPERATING TEMPERATURE: -20°C to 40°C

POWER FACTOR: Greater than 0.90

IP RATING: IP67

ORDERING MATRIX

Sample Number: WBB3QF1X16U4KBSP

PREFIX	OPTICS	WATTAGE	VOLTAGE	CCT	COLOR	OPTIONS
WBB3Q = Round	F1X = Medium	16 = 16W (1600lm)	U =120-277V	4K =4000K	Z =Bronze	SP =Surge Protection
WBB4Q = Square					B =Black	

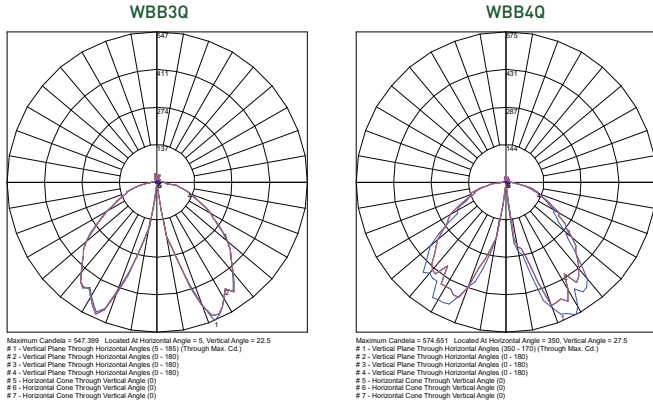
US Help line - **1 800 645-6460**
p - **281 978-2509**
e - **us_sales@luceco.com**

Luceco Inc
11050 West Little York Rd Building C-1
Houston, TX 77041

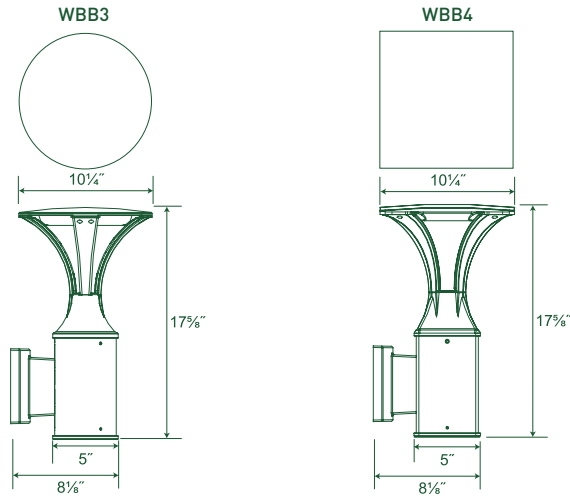
Visit our website at

www.luceco.com

POLAR CANDELA DISTRIBUTION



DIMENSIONS



STANDARDS

RoHS	Complies with restriction of the use of certain hazardous substances
UL	Luminaires, light-emitting-diode



ATTRIBUTES

PART NUMBER	SHAPE	WATTAGE	LUMENS	lm/W
LWPFBZ5	Round	16W	1500lm	93
LWPFBZ7	Square	16W	1600lm	100

*Note: Actual performance may differ due to end user application or environment. All values are design or typical values.

US Help line - **1 800 645-6460**
 p - **281 978-2509**
 e - **us_sales@luceco.com**

Luceco Inc
 11050 West Little York Rd Building C-1
 Houston, TX 77041

Visit our website at

www.luceco.com