

APPROVALS:

TYPE:  
NOTES:

JOB:

## CYLINDER - WCTRD

### FEATURES

- IP67 rated outdoor cylinder
- Up and down configuration
- Extruded aluminum housing
- Integrated heat sink
- Quick mount installation bracket
- Optional surge protection available
- 0-10V Dimmable



### PRODUCT SPECIFICATIONS

INPUT VOLTAGE:

- 120-277V
- 480V

CONSTRUCTION:

- Extruded aluminum housing
- Integrated heat sink

BODY FINISH:

- Powdercoat finish in Bronze or Black
- All parts painted after fabrication to facilitate safe installation with smooth edges, increase efficiency, and inhibit corrosion

LENS:

- Clear flat tempered glass lens with white reflector

BEAM ANGLE: 70°, 100°, 70°up x100°down, 30°up x 100°down

CONTROL OPTIONS: 0-10V Dimming

MOUNTING: Wall

COLOR TEMPERATURE: 4000K

CRI: Up to 80

EFFICACY: Up to 110lm/W

IGNITION TIME: Less than 1sec.

OPERATING TEMPERATURE: -20°C to 40°C

POWER FACTOR: Greater than 0.90

IP RATING: IP67

### ORDERING MATRIX

Example Part Number: WCTRDEC32X20U41KBSP

PREFIX	OPTICS	WATTAGE	VOLTAGE	CCT	BODY COLOR	OPTIONS
<b>WCTRD</b> = 4300lm	<b>A</b> =70°, Medium <b>B</b> =100°, Wide <b>C</b> = 70° Up/100° Down <b>E</b> =30° Up/100° Down	<b>C32X20</b> = 40W	<b>U</b> =120-277V <b>H</b> = 347/480V	<b>41K</b> = 4000K	<b>Z</b> = Bronze <b>B</b> = Black	<b>SP</b> = Surge Protection

US Help line - **1 800 645-6460**  
p - **281 978-2509**  
e - **us\_sales@luceco.com**

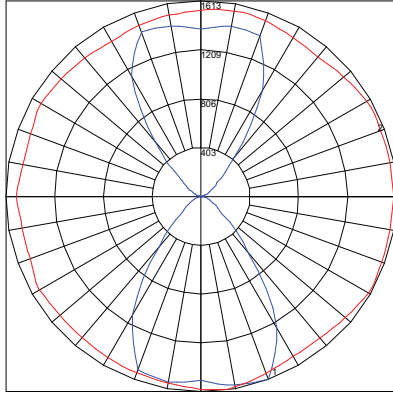
Luceco Inc  
11050 West Little York Rd Building C-1  
Houston, TX 77041

Visit our website at

**www.luceco.com**

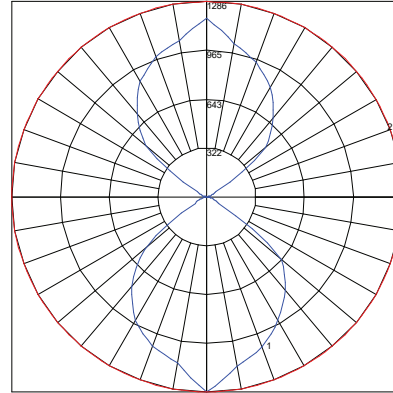
## POLAR CANDELA DISTRIBUTION

**WCTRDA - 70°**



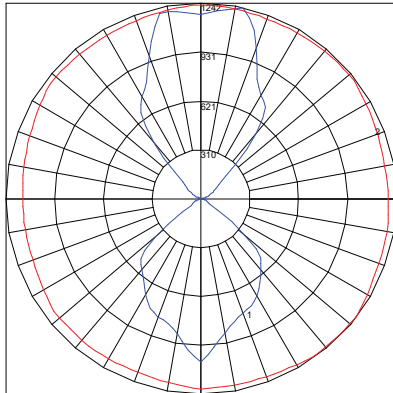
Maximum Candela = 1612.833 Located At Horizontal Angle = 277.5, Vertical Angle = 20  
 # 1 - Vertical Plane Through Horizontal Angles (277.5 - 97.5) (Through Max. Cd.)  
 # 2 - Horizontal Cone Through Vertical Angle (20) (Through Max. Cd.)

**WCTRDB - 100°**



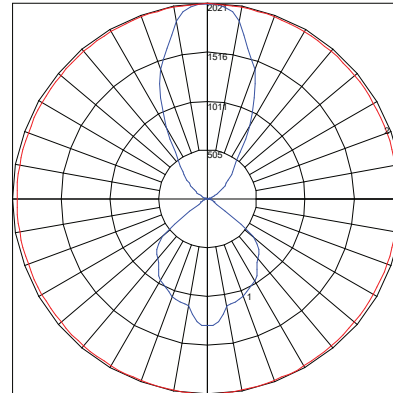
Maximum Candela = 1286 Located At Horizontal Angle = 0, Vertical Angle = 0  
 # 1 - Vertical Plane Through Horizontal Angles (0 - 180) (Through Max. Cd.)  
 # 2 - Horizontal Cone Through Vertical Angle (0) (Through Max. Cd.)

**WCTRDC - 70° UP/ 100° DOWN**



Maximum Candela = 1241.758 Located At Horizontal Angle = 322.5, Vertical Angle = 167.5  
 # 1 - Vertical Plane Through Horizontal Angles (322.5 - 142.5) (Through Max. Cd.)  
 # 2 - Horizontal Cone Through Vertical Angle (167.5) (Through Max. Cd.)

**WCTRDC - 30° UP/ 100° DOWN**



Maximum Candela = 2021.08 Located At Horizontal Angle = 90, Vertical Angle = 177.5  
 # 1 - Vertical Plane Through Horizontal Angles (90 - 270) (Through Max. Cd.)  
 # 2 - Horizontal Cone Through Vertical Angle (177.5) (Through Max. Cd.)

\*Note: Actual performance may differ due to end user application or environment. All values are design or typical values.

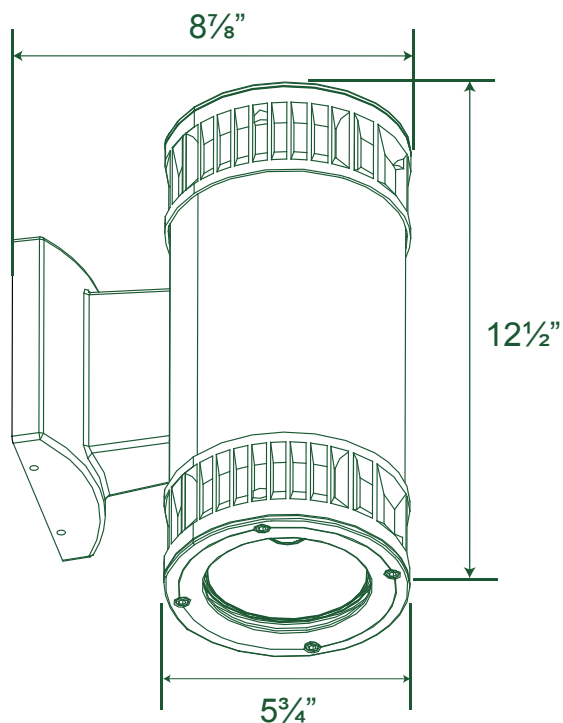
US Help line - **1 800 645-6460**  
 p - **281 978-2509**  
 e - **us\_sales@luceco.com**

Luceco Inc  
 11050 West Little York Rd Building C-1  
 Houston, TX 77041

Visit our website at

**www.luceco.com**

## DIMENSIONS



## STANDARDS

RoHS	Complies with restriction of the use of certain hazardous substances
UL	Luminaires, light-emitting-diode



## ATTRIBUTES

MODEL NUMBER	WATTAGE	LUMENS	EFFICACY lm/W
WCTRD -70 degree	40W	4300lm	107
WCTRD -100 degree	40W	4300lm	107
WCTRD -70 degree/100 degree	40W	3300lm	82
WCTRD -30 degree/100 degree	40W	4400lm	110

\*Note: Actual performance may differ due to end user application or environment. All values are design or typical values.

US Help line - **1 800 645-6460**  
 p - **281 978-2509**  
 e - **us\_sales@luceco.com**

Luceco Inc  
 11050 West Little York Rd Building C-1  
 Houston, TX 77041

Visit our website at

**www.luceco.com**