

APPROVALS:

TYPE:
NOTES:

JOB:

CYLINDER - WCTRS

FEATURES

- IP67 rated outdoor cylinder
- Up or down configuration
- Extruded aluminum housing
- Integrated heat sink
- Quick mount installation bracket
- Optional surge protection available
- 0-10V Dimmable



PRODUCT SPECIFICATIONS

INPUT VOLTAGE:

- 120-277V

CONSTRUCTION:

- Extruded aluminum housing
- Integrated heat sink
- Tamper resistant

BODY FINISH:

- Powdercoat finish in Architectural Bronze or Black
- All parts painted after fabrication to facilitate safe installation with smooth edges, increase efficiency, and inhibit corrosion

LENS: Clear flat tempered glass lens with white reflector

BEAM ANGLE: 70°, 100°

CONTROL OPTIONS: 0-10V Dimming

MOUNTING: Wall

COLOR TEMPERATURE: 4000K

CRI: Up to 80

EFFICACY: Up to 115lm/W

IGNITION TIME: Less than 1sec.

OPERATING TEMPERATURE: -20°C to 40°C

POWER FACTOR: Greater than 0.90

IP RATING: IP67

ORDERING MATRIX

Example: WCTRSAC31X20U41KZSP

PREFIX	OPTICS	WATTAGE	VOLTAGE	CCT	BODY COLOR	OPTIONS
WCTRS = 5400lm	A = 70°, Medium B = 100°, Wide	C31X20 = 20W (2300lm)	U = 120-277V	41K = 4100K	Z = Bronze B = Black	SP = Surge Protection

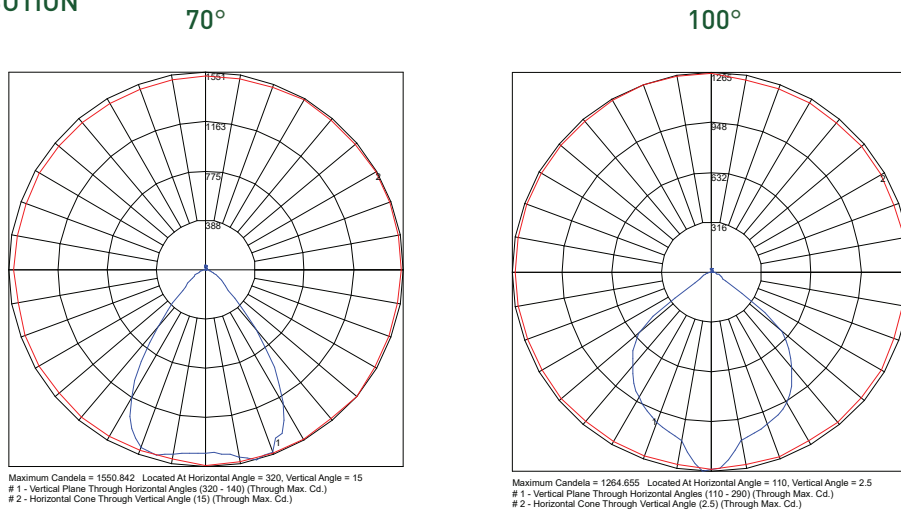
US Help line - **1 800 645-6460**
p - **281 978-2509**
e - **us_sales@luceco.com**

Luceco Inc
11050 West Little York Rd Building C-1
Houston, TX 77041

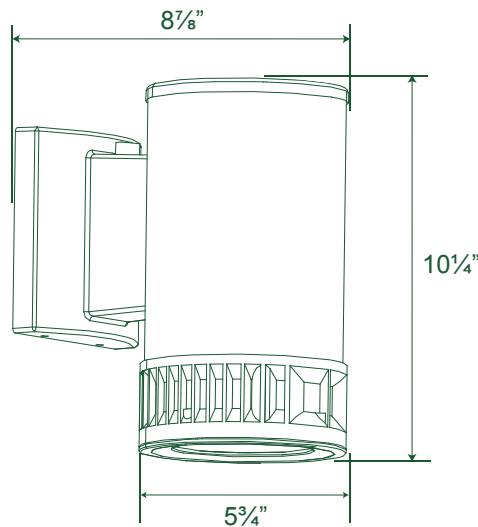
Visit our website at

www.luceco.com

POLAR CANDELA DISTRIBUTION



DIMENSIONS



STANDARDS

RoHS	Complies with restriction of the use of certain hazardous substances
UL	Luminaires, light-emitting-diode



ATTRIBUTES

MODEL NUMBER	WATTAGE	LUMENS	EFFICACY lm/W
WCTRS	20W	2300lm	115

*Note: Actual performance may differ due to end user application or environment. All values are design or typical values.

US Help line - **1 800 645-6460**
 p - **281 978-2509**
 e - **us_sales@luceco.com**

Luceco Inc
 11050 West Little York Rd Building C-1
 Houston, TX 77041

Visit our website at

www.luceco.com