

APPROVALS:

TYPE:
NOTES:

JOB:

SLIMLINE PORTABLE WORKLIGHT - LSW

PRODUCT SPECIFICATIONS

INPUT VOLTAGE:

- 120-277V

CONSTRUCTION:

- Sturdy steel stand, die-cast housing with tempered glass
- Lightweight frame with soft grip handle
- Weatherproof power switch
- Supplied with 15A 120V US plug
- 6' of SJTW cord provided
- Fixed output integrated driver

BODY FINISH: Yellow

BEAM DISTRIBUTION: 95°

COLOR TEMPERATURE: 5000K as standard. Other color temps available; subject to minimum quantity.

CRI: Greater than 80

EFFICACY: Up to 60 Lm/W

IGNITION TIME: Less than 1sec.



FEATURES

- 90% energy savings over halogen
- Low maintenance

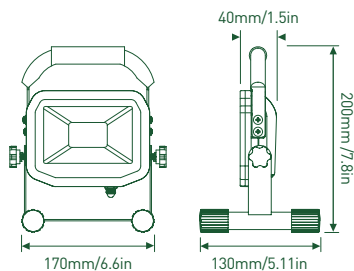
STANDARDS

RoHS	Complies with restriction of the use of certain hazardous substances
UL	Luminaires, light-emitting-diode
LM-79	IESNA method for the electrical and photometric measurements of LED light products
LM-80	IESNA method for measuring lumen maintenance of LED light sources
TM-21	IESNA method for projecting the lumen maintenance of LED light products

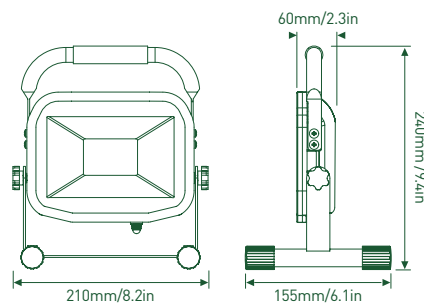


DIMENSIONS

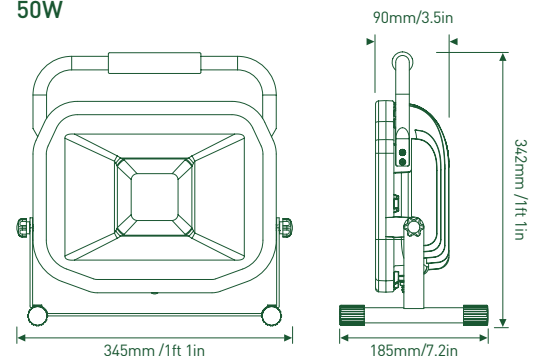
10W & 20W



30W



50W



US Help line - 1 800 645-6460
p - 281 978-2509
e - us_sales@luceco.com

Luceco Inc
11050 West Little York Rd Building C-1
Houston, TX 77041

Visit our website at

www.luceco.com

CCT



5000K 'neutral white' color temperature as standard.

Other color temperatures available to order, subject to minimum requirement

3000K / 4000K / 5700K / 6500K

ORDERING

MODEL NUMBER	LUMENS	WATTAGE	EQUIVALENT WATTAGE
LSW10BR1-US	600	10W	100W
LSW20BR1-US	1200	20W	200W
LSW30BR1-US	1800	30W	300W
LSW50BR1-US	3000	50W	500W