

APPROVALS:

TYPE:  
NOTES:

JOB:

## SEMI-CUTOFF WALLPACK - WPA

### FEATURES

- Die-cast aluminum housing
- Gasketed aluminum front frame
- Hinged design for easy mounting and access
- Integrated leveling device
- Clear borosilicate glass lens
- Optional surge protection
- 0-10V Dimmable
- IP65



### PRODUCT SPECIFICATIONS

INPUT VOLTAGE:

- 120-277V
- 480V

CONSTRUCTION:

- Die-cast aluminum housing
- Gasketed aluminum front frame
- Hinged design for easy mounting and access
- Stainless steel hardware
- Integrated leveling device
- Multiple conduit entry locations

BODY FINISH:

- Powdercoat finish in Dark Bronze
- All parts painted after fabrication to facilitate safe installation with smooth edges, increase efficiency, and inhibit corrosion

LENS: Prismatic borosilicate glass lens

BEAM ANGLE: Type 4

CONTROL OPTIONS:

- 0-10V Dimmable
- Photocell Compatible

MOUNTING: Wall Mount

COLOR TEMPERATURE: 5000K

CRI: Up to 80

EFFICACY: Up to 78lm/W

IGNITION TIME: Less than 1sec.

OPERATING TEMPERATURE: -20°C to 40°C

POWER FACTOR: Greater than 0.90

IP RATING: IP65

### ORDERING MATRIX

PREFIX	OPTICS	WATTAGE	VOLTAGE	CCT	COLOR*	OPTIONS
WPA15QF1X	F1X = Type 4	37 = 44W (3400lm)	U=120-277V H=347-480V	5KC=5000K	B= Bronze	SP=Surge Protection
WPA25QF1X	F1X = Type 4	58 = 69W (4900lm)	U=120-277V H=347-480V	5KC=5000K	B= Bronze	SP=Surge Protection

US Help line - **1 800 645-6460**  
p - **281 978-2509**  
e - **us\_sales@luceco.com**

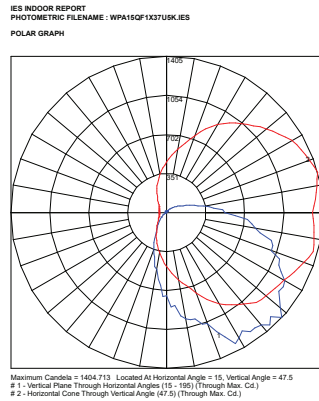
Luceco Inc  
11050 West Little York Rd Building C-1  
Houston, TX 77041

Visit our website at

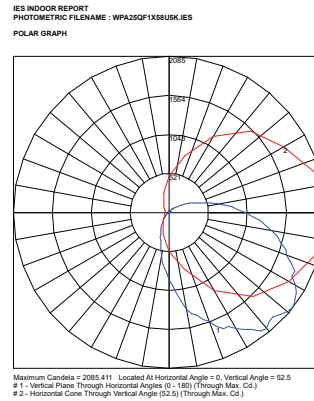
**www.luceco.com**

## POLAR CANDELA DISTRIBUTION

### WPA15

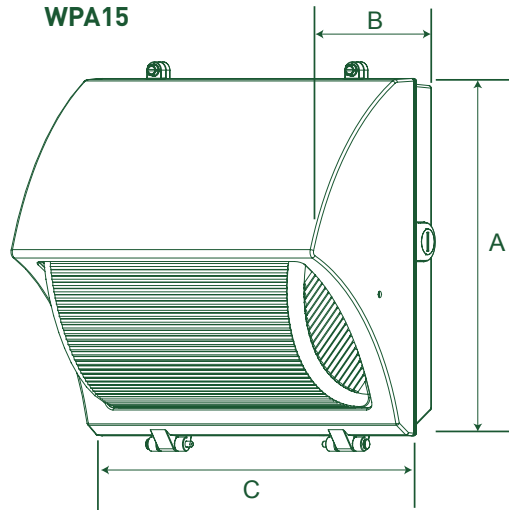


### WPA25



## DIMENSIONS

### WPA15



## STANDARDS

RoHS	Complies with restriction of the use of certain hazardous substances
UL	Luminaires, light-emitting-diode



## ATTRIBUTES

PART NUMBER	WATTAGE	LUMENS	Lm/W
WPA15	44W	3400	77
WPA25	69W	4900	71

\*Note: Actual performance may differ due to end user application or environment. All values are design or typical values.

US Help line - **1 800 645-6460**  
p - **281 978-2509**  
e - **us\_sales@luceco.com**

Luceco Inc  
11050 West Little York Rd Building C-1  
Houston, TX 77041

Visit our website at

**www.luceco.com**