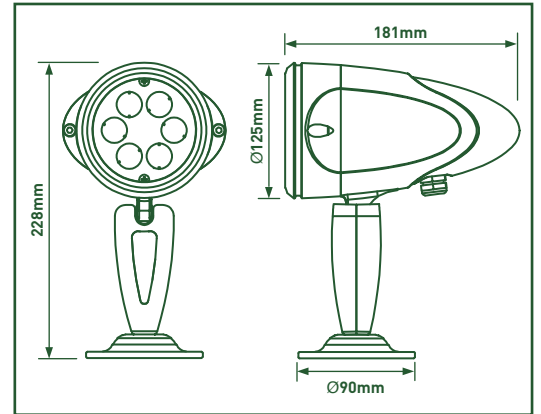


EXTERIOR ARCHITECTURAL SPOT



- Durable die cast construction
- Toughened glass lens
- Adjustable 350°
- Rotation 15°



3 year
standard
WARRANTY



3 years standard warranty available in the UK. Rest of the world may vary, please ask your local distributor for more information.

5000K NEUTRAL WHITE	30,000 HOURS	BEAM ANGLE 25°	IP65 RATED	230v /50hz	CRI >80
----------------------------------	------------------------	-----------------------------	----------------------	----------------------	-----------------------------

CAT NO.	LUMINAIRE LUMENS	WATTAGE	EFFICACY Llm/W
LEAR82550	480	8.2W	58

STANDARDS

EN 60598-1	Luminaires - General requirements
EN 60598-2-1	Luminaires - Fixed
EN 61347-1	Lamp controlgear - Part 1: General and safety requirements
EN 61347-2-13	Lamp controlgear - Part 2-13: Particular requirements for d.c. or a.c. supplied electronic controlgear for LED modules
EN 55015	Limits and methods of measurement of radio disturbance characteristics of electrical lighting and similar equipment
EN 61547	Equipment for general lighting purposes - EMC immunity requirements
EN 61000-3-2	Electromagnetic compatibility (EMC) - Part 3-2: Limits - for harmonic current emissions
EN 62471	Photobiological safety of lamps and lamp systems
2002/96/EC	Waste Electrical & Electronic Equipment (WEEE)
2011/65/EU	Restriction of the use of certain Hazardous Substances in EEE (RoHS)
(EC) No 1907/2006	The Registration, Evaluation, Authorisation and Restriction of Chemicals (REACH)



Tech Help Line
UK - **03300 249 279**
Non UK - **+44 (0)1952 238 100**

Supplied by Nexus Industries Ltd
Nexus Distribution Centre, Stafford Park 1
Telford, Shropshire, TF3 3BD

Visit our website at

www.luceco.uk