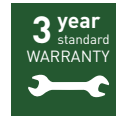
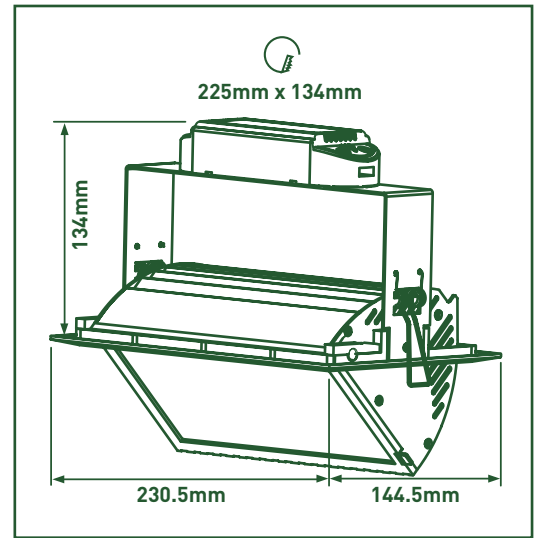


## WALLWASHER RECESSED DOWNLIGHT

- Tilt-able positioning
- Spring clip installation
- Thermal design allows for excellent heat dissipation
- Manufactured in aluminium
- Double insulated
- Integral fixed output driver included (no dimmable option)  
Fixed output driver = LDR42900  
Dimmable driver = LDRDIM35900



3 years standard and 1 year onsite warranty available in the UK. Rest of the world may vary, please ask your local distributor for more information.

<b>4000K</b> NEUTRAL WHITE	<b>350</b> mA	BEAM ANGLE <b>68°</b>	WHITE FINISH	<b>230v</b> /50hz	<b>CRI</b> >80
----------------------------------	------------------	-----------------------------	-----------------	----------------------	-------------------

CAT NO.	LUMINAIRE LUMENS	WATTAGE	EFFICACY LLM/W
LKT103	2500	29.4W	85

### STANDARDS

EN 60598-1	Luminaires - General requirements
EN 60598-2-2	Luminaires - Recessed
EN 61347-1	Lamp controlgear - Part 1: General and safety requirements
EN 61347-2-13	Lamp controlgear - Part 2-13 : Particular requirements for d.c. or a.c. supplied electronic controlgear for LED modules
EN 55015	Limits and methods of measurement of radio disturbance characteristics of electrical lighting and similar equipment
EN 61547	Equipment for general lighting purposes - EMC immunity requirements
EN 61000-3-2	Electromagnetic compatibility (EMC) - Part 3-2: Limits - for harmonic current emissions
EN 62471	Photobiological safety of lamps and lamp systems
2002/96/EC	Waste Electrical & Electronic Equipment (WEEE)
2011/65/EU	Restriction of the use of certain Hazardous Substances in EEE (RoHS)
(EC) No 1907/2006	The Registration, Evaluation, Authorisation and Restriction of Chemicals (REACH)

▼ CONTINUED



**LUCECO**

The luminaire contains built-in LED lamps.

A++  
A+  
A  
B  
C  
D  
E

**A+**

The lamps cannot be changed in the luminaire.

874/2012

Tech Help Line  
UK - **03300 249 279**  
Non UK - **+44 (0)1952 238 100**

Supplied by Nexus Industries Ltd  
Nexus Distribution Centre, Stafford Park 1  
Telford, Shropshire, TF3 3BD

Visit our website at  
**www.luceco.uk**

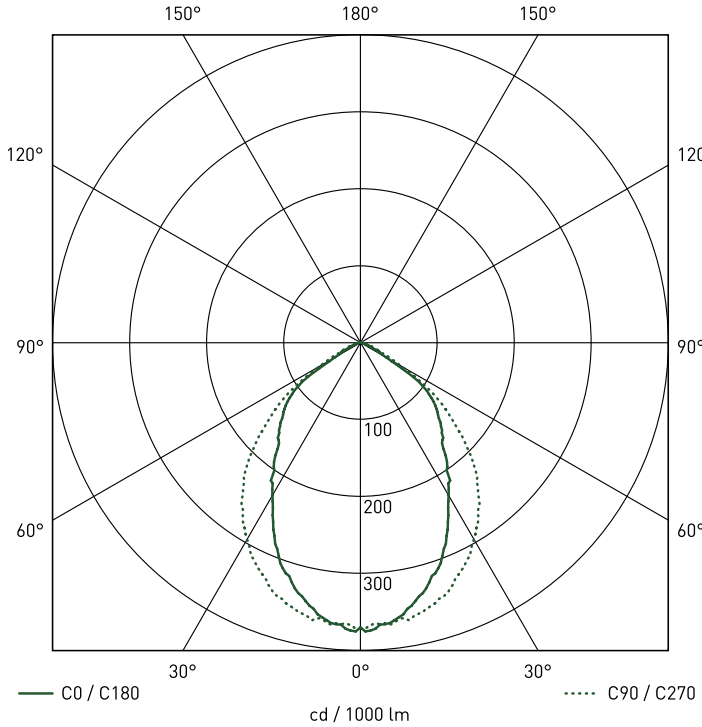
# LUCECO PHOTOMETRIC DATA

## LKT103

### LUMINAIRE PERFORMANCE

Light Output Ratio:	67%	Quantity:	1
Luminaire Efficacy:	33.5 lm/W	Designation:	LED
Light Distribution:	A50 ↓100.0% ↑0.0%	Colour Temperature:	4000K
CIE Flux Codes:	64 95 100 100 67	Luminous flux:	1800 lm
UGR 4H 8H (20%, 50%, 70%) C0 / C90:	22.4 / 23.8	CRI:	82

### LUMINOUS INTENSITY



	C0	C90	C180
0°	370	370	370
5°	367	366	367
10°	351	366	351
15°	330	354	330
20°	305	340	305
25°	268	320	268
30°	229	295	229
35°	197	266	197
40°	166	235	166
45°	147	199	147
50°	127	156	127
55°	99	114	99
60°	38	61	38
65°	20	30	20
70°	11	16	11
75°	5	5	5
80°	2	2	2
85°	1	1	1
90°	0	0	0
	cd / 1000 lm		

### UNIFIED GLARE RATING (UGR) TABLE

#### REFLECTANCE OF

CEILING	0.7	0.7	0.5	0.5	0.3	0.7	0.7	0.5	0.5	0.3
WALLS	0.5	0.3	0.5	0.3	0.3	0.5	0.3	0.5	0.3	0.3
FLOOR CAVITY	0.2	0.2	0.2	0.2	0.2	0.2	0.2	0.2	0.2	0.2

#### ROOM DIMENSION

x		y		VIEWED CROSSWISE					VIEWED ENDWISE			
2H	2H	2H	22.3	23.7	22.7	24.0	24.4	23.8	25.2	24.1	25.5	25.8
	3H	22.3	23.6	22.7	23.9	24.3	23.9	25.1	24.2	25.4	25.8	
	4H	22.3	23.5	22.7	23.8	24.2	23.8	25.0	24.2	25.3	25.7	
	6H	22.3	23.3	22.7	23.7	24.1	23.8	24.8	24.2	25.2	25.6	
	8H	22.2	23.2	22.6	23.6	24.0	23.7	24.7	24.1	25.1	25.5	
	12H	22.2	23.1	22.6	23.5	23.9	23.7	24.6	24.1	25.0	25.4	
4H	2H	22.5	23.7	22.9	24.0	24.4	23.8	25.0	24.2	25.3	25.7	
	3H	22.5	23.5	22.9	23.9	24.3	23.9	24.9	24.3	25.3	25.7	
	4H	22.5	23.4	23.0	23.8	24.2	23.9	24.8	24.4	25.2	25.6	
	6H	22.5	23.2	22.9	23.6	24.1	23.9	24.6	24.3	25.0	25.5	
	8H	22.4	23.1	22.9	23.6	24.0	23.8	24.5	24.3	24.9	25.4	
	12H	22.4	23.0	22.9	23.5	24.0	23.8	24.4	24.3	24.9	25.4	
8H	4H	22.4	23.1	22.9	23.6	24.0	23.8	24.5	24.3	24.9	25.4	
	6H	22.3	22.9	22.8	23.4	23.9	23.7	24.3	24.2	24.7	25.2	
	8H	22.4	22.8	22.9	23.4	23.8	23.7	24.2	24.2	24.7	25.2	
	12H	22.3	22.7	22.8	23.2	23.7	23.7	24.1	24.2	24.6	25.1	
12H	4H	22.4	23.0	22.9	23.5	24.0	23.8	24.4	24.3	24.9	25.4	
	6H	22.4	22.8	22.9	23.3	23.8	23.7	24.2	24.2	24.7	25.2	
	8H	22.3	22.7	22.8	23.2	23.7	23.7	24.1	24.2	24.6	25.1	