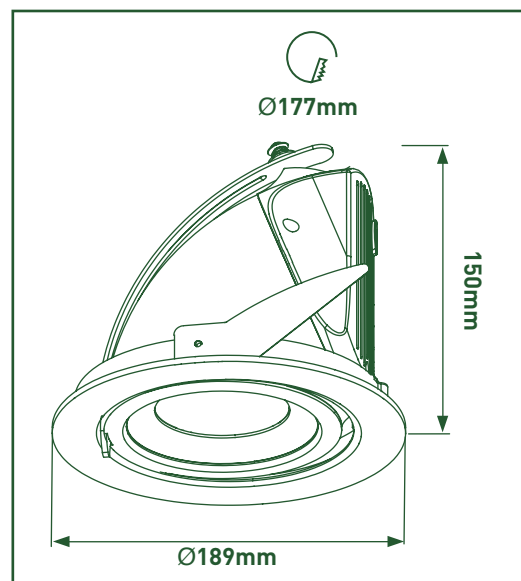


## WALLWASHER RECESSED DOWNLIGHT

- Gimbal - adjustable positioning
- Adjustable 60° in single direction and 359° rotatable
- Manufactured in aluminium
- Double insulated
- Fixed output driver = LDR10350  
Dimmable driver = LDRDIM15500



**3 year**  
standard  
WARRANTY

**1 year**  
on site  
WARRANTY

3 years standard and 1 year onsite warranty available in the UK. Rest of the world may vary, please ask your local distributor for more information.

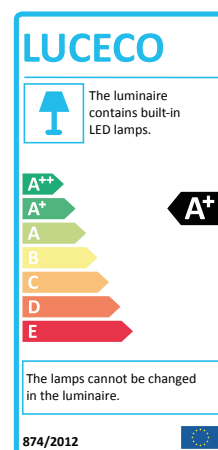
<b>4000K</b> NEUTRAL WHITE	<b>350</b> mA	BEAM ANGLE <b>21°</b>	<b>WHITE</b> FINISH	<b>230v</b> /50hz	<b>CRI</b> <b>&gt;80</b>
----------------------------------	------------------	-----------------------------	------------------------	----------------------	-----------------------------

CAT NO.	LUMINAIRE LUMENS	WATTAGE	EFFICACY LLM/W
LKT206	630	9.7W	65

### STANDARDS

EN 60598-1	Luminaires - General requirements
EN 60598-2-2	Luminaires - Recessed
EN 61347-1	Lamp controlgear - Part 1: General and safety requirements
EN 61347-2-13	Lamp controlgear - Part 2-13 : Particular requirements for d.c. or a.c. supplied electronic controlgear for LED modules
EN 55015	Limits and methods of measurement of radio disturbance characteristics of electrical lighting and similar equipment
EN 61547	Equipment for general lighting purposes - EMC immunity requirements
EN 61000-3-2	Electromagnetic compatibility (EMC) - Part 3-2: Limits - for harmonic current emissions
EN 62471	Photobiological safety of lamps and lamp systems
2002/96/EC	Waste Electrical & Electronic Equipment (WEEE)
2011/65/EU	Restriction of the use of certain Hazardous Substances in EEE (RoHS)
(EC) No 1907/2006	The Registration, Evaluation, Authorisation and Restriction of Chemicals (REACH)

▼ CONTINUED



Tech Help Line  
UK - **03300 249 279**

Non UK - **+44 (0)1952 238 100**

Supplied by Nexus Industries Ltd  
Nexus Distribution Centre, Stafford Park 1  
Telford, Shropshire, TF3 3BD

Visit our website at

**www.luceco.uk**

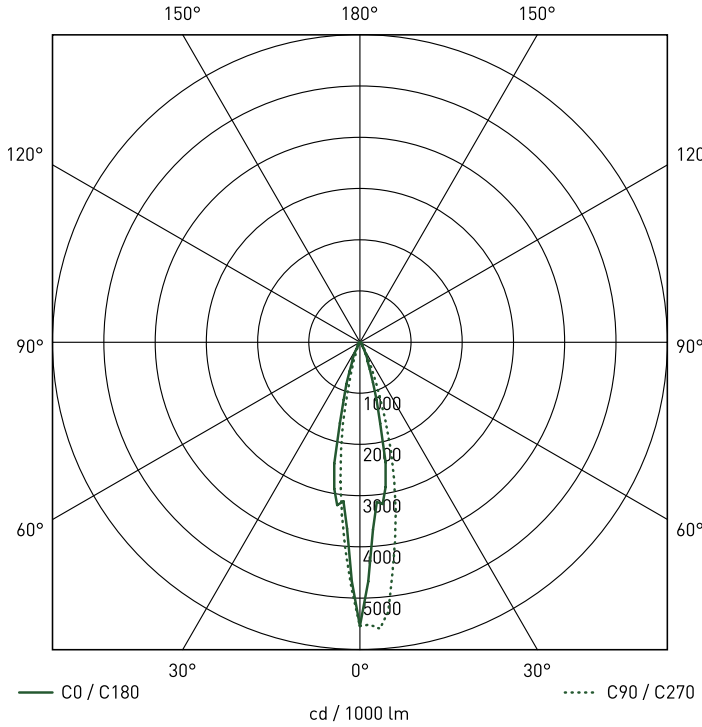
# LUCECO PHOTOMETRIC DATA

## LKT206

### LUMINAIRE PERFORMANCE

Light Output Ratio:	105%	Quantity:	1
Luminaire Efficacy:	66.15 lm/W	Designation:	LED
Light Distribution:	A80 ↓100.0% ↑0.0%	Colour Temperature:	4000K
CIE Flux Codes:	94 98 100 100 104	Luminous flux:	630 lm
UGR 4H 8H (20%, 50%, 70%) C0 / C90:	<10.0 / <10.0	CRI:	80

### LUMINOUS INTENSITY



	C0	C90	C180
0°	5542	5542	5542
5°	3370	5476	3354
10°	2875	3958	2907
15°	1390	2478	1386
20°	567	1133	606
25°	295	465	304
30°	121	206	110
35°	80	105	76
40°	52	65	48
45°	41	45	39
50°	32	36	30
55°	26	28	25
60°	22	20	20
65°	16	10	15
70°	11	2	10
75°	5	1	5
80°	1	0	1
85°	0	0	0
90°	0	0	0
	cd / 1000 lm		

### UNIFIED GLARE RATING (UGR) TABLE

#### REFLECTANCE OF

CEILING	0.7	0.7	0.5	0.5	0.3	0.7	0.7	0.5	0.5	0.3
WALLS	0.5	0.3	0.5	0.3	0.3	0.5	0.3	0.5	0.3	0.3
FLOOR CAVITY	0.2	0.2	0.2	0.2	0.2	0.2	0.2	0.2	0.2	0.2

#### ROOM DIMENSION

ROOM DIMENSION		VIEWED CROSSWISE					VIEWED ENDWISE				
x	y										
2H	2H	<10.0	<10.0	<10.0	<10.0	<10.0	<10.0	<10.0	<10.0	<10.0	<10.0
	3H	<10.0	<10.0	<10.0	<10.0	<10.0	<10.0	<10.0	<10.0	<10.0	<10.0
	4H	<10.0	<10.0	<10.0	<10.0	10.1	<10.0	<10.0	<10.0	<10.0	<10.0
	6H	<10.0	<10.0	<10.0	<10.0	10.0	<10.0	<10.0	<10.0	<10.0	<10.0
	8H	<10.0	<10.0	<10.0	<10.0	<10.0	<10.0	<10.0	<10.0	<10.0	<10.0
	12H	<10.0	<10.0	<10.0	<10.0	<10.0	<10.0	<10.0	<10.0	<10.0	<10.0
4H	2H	<10.0	<10.0	<10.0	<10.0	<10.0	<10.0	<10.0	<10.0	<10.0	<10.0
	3H	<10.0	<10.0	<10.0	<10.0	10.3	<10.0	<10.0	<10.0	<10.0	<10.0
	4H	<10.0	<10.0	<10.0	10.1	10.5	<10.0	<10.0	<10.0	<10.0	<10.0
	6H	<10.0	<10.0	<10.0	<10.0	10.4	<10.0	<10.0	<10.0	<10.0	<10.0
	8H	<10.0	<10.0	<10.0	<10.0	10.4	<10.0	<10.0	<10.0	<10.0	<10.0
	12H	<10.0	<10.0	<10.0	<10.0	10.3	<10.0	<10.0	<10.0	<10.0	<10.0
8H	4H	<10.0	<10.0	<10.0	<10.0	10.4	<10.0	<10.0	<10.0	<10.0	<10.0
	6H	<10.0	<10.0	<10.0	<10.0	10.3	<10.0	<10.0	<10.0	<10.0	<10.0
	8H	<10.0	<10.0	<10.0	<10.0	10.2	<10.0	<10.0	<10.0	<10.0	<10.0
	12H	<10.0	<10.0	<10.0	<10.0	10.1	<10.0	<10.0	<10.0	<10.0	<10.0
12H	4H	<10.0	<10.0	<10.0	<10.0	10.3	<10.0	<10.0	<10.0	<10.0	<10.0
	6H	<10.0	<10.0	<10.0	<10.0	10.2	<10.0	<10.0	<10.0	<10.0	<10.0
	8H	<10.0	<10.0	<10.0	<10.0	10.1	<10.0	<10.0	<10.0	<10.0	<10.0