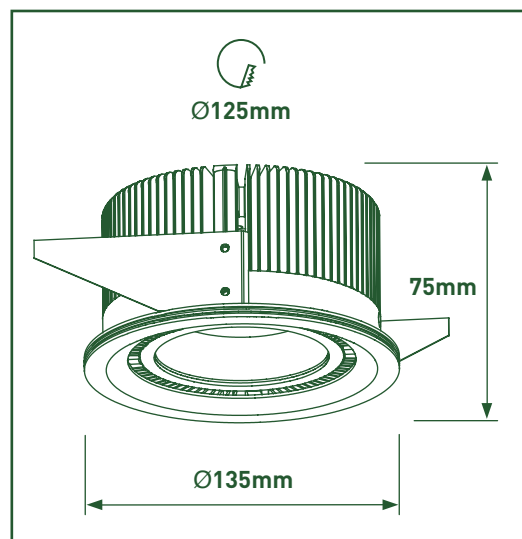


RECESSED DOWNLIGHT

- Manufactured in aluminium
- Leaf clip installation
- Fixed position
- Double insulated
- Fixed output driver = LDR20500
- Dimmable driver = LDRDIM15500



3 year
standard
WARRANTY

1 year
on site
WARRANTY

3 years standard and 1 year onsite warranty available in the UK. Rest of the world may vary, please ask your local distributor for more information.

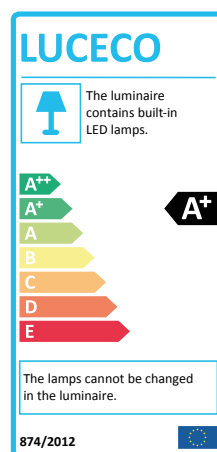
4000K NEUTRAL WHITE	500 mA	BEAM ANGLE 14°	WHITE FINISH	IP20 RATED	230v /50hz	CRI >80
----------------------------------	------------------	-----------------------------	------------------------	----------------------	----------------------	-------------------

CAT NO.	LUMINAIRE LUMENS	WATTAGE	EFFICACY LLM/W
LKT6563	910	9.5W	96

STANDARDS

EN 60598-1	Luminaires - General requirements
EN 60598-2-2	Luminaires - Recessed
EN 61347-1	Lamp controlgear - Part 1: General and safety requirements
EN 61347-2-13	Lamp controlgear - Part 2-13: Particular requirements for d.c. or a.c. supplied electronic controlgear for LED modules
EN 55015	Limits and methods of measurement of radio disturbance characteristics of electrical lighting and similar equipment
EN 61547	Equipment for general lighting purposes - EMC immunity requirements
EN 61000-3-2	Electromagnetic compatibility (EMC) - Part 3-2: Limits - for harmonic current emissions
EN 62471	Photobiological safety of lamps and lamp systems
2002/96/EC	Waste Electrical & Electronic Equipment (WEEE)
2011/65/EU	Restriction of the use of certain Hazardous Substances in EEE (RoHS)
(EC) No 1907/2006	The Registration, Evaluation, Authorisation and Restriction of Chemicals (REACH)

▼ CONTINUED



Tech Help Line
UK - **03300 249 279**

Non UK - **+44 (0)1952 238 100**

Supplied by Nexus Industries Ltd
Nexus Distribution Centre, Stafford Park 1
Telford, Shropshire, TF3 3BD

Visit our website at

www.luceco.uk

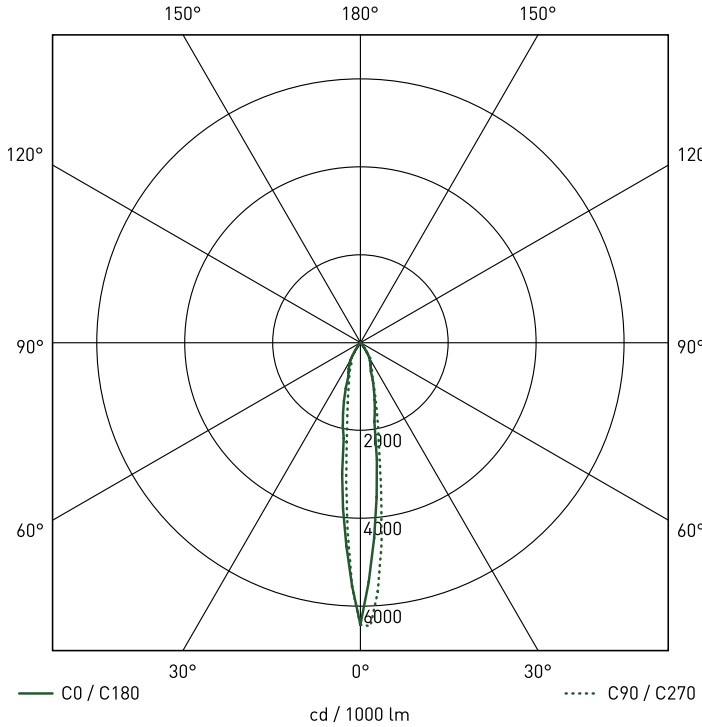
LUCECO PHOTOMETRIC DATA

LKT6563

LUMINAIRE PERFORMANCE

Light Output Ratio:	107.24%	Quantity:	1
Luminaire Efficacy:	95.95 lm/W	Designation:	LED
Light Distribution:	A40 ↓100.0% ↑0.0%	Colour Temperature:	4000K
CIE Flux Codes:	99 99 100 100 106	Luminous flux:	850 lm
UGR 4H 8H (20%, 50%, 70%) C0 / C90:	11.0 / 10.5	CRI:	80.9

LUMINOUS INTENSITY



	C0	C90	C180
0°	6415	6415	6415
5°	3986	5155	4216
10°	1822	2459	2214
15°	1229	1340	1524
20°	689	799	809
25°	544	579	628
30°	409	428	447
35°	207	284	226
40°	4	10	4
45°	4	4	4
50°	3	4	3
55°	3	3	3
60°	4	3	3
65°	3	3	2
70°	3	2	2
75°	2	1	2
80°	2	1	1
85°	0	1	0
90°	0	0	0
	cd / 1000 lm		

UNIFIED GLARE RATING (UGR) TABLE

REFLECTANCE OF

CEILING	0.7	0.7	0.5	0.5	0.3	0.7	0.7	0.5	0.5	0.3
WALLS	0.5	0.3	0.5	0.3	0.3	0.5	0.3	0.5	0.3	0.3
FLOOR CAVITY	0.2	0.2	0.2	0.2	0.2	0.2	0.2	0.2	0.2	0.2

ROOM DIMENSION

		VIEWED CROSSWISE					VIEWED ENDWISE				
x	y										
2H	2H	11.7	12.4	12.0	12.7	13.1	11.2	11.9	11.6	12.2	12.6
	3H	11.5	12.2	11.9	12.5	12.8	11.0	11.7	11.4	12.0	12.3
	4H	11.4	12.0	11.8	12.4	12.7	10.9	11.5	11.3	11.9	12.3
	6H	11.3	11.9	11.8	12.3	12.7	10.9	11.4	11.3	11.8	12.2
	8H	11.3	11.8	11.7	12.2	12.6	10.8	11.4	11.2	11.7	12.2
	12H	11.2	11.7	11.6	12.1	12.5	10.8	11.3	11.2	11.7	12.1
4H	2H	11.3	12.0	11.7	12.3	12.7	10.8	11.5	11.2	11.8	12.2
	3H	11.1	11.7	11.6	12.1	12.5	10.6	11.2	11.1	11.6	12.0
	4H	11.1	11.5	11.5	12.0	12.4	10.6	11.0	11.0	11.5	11.9
	6H	11.0	11.4	11.5	11.9	12.3	10.5	10.9	11.0	11.4	11.9
	8H	11.0	11.4	11.5	11.8	12.3	10.5	10.9	11.0	11.4	11.9
	12H	10.9	11.3	11.4	11.7	12.3	10.6	10.9	11.1	11.4	11.9
8H	4H	10.9	11.3	11.4	11.7	12.2	10.4	10.8	10.9	11.2	11.7
	6H	10.8	11.2	11.3	11.6	12.2	10.4	10.7	10.9	11.2	11.7
	8H	10.9	11.1	11.4	11.7	12.2	10.5	10.7	11.0	11.3	11.8
	12H	10.8	11.0	11.3	11.5	12.0	10.5	10.7	11.1	11.3	11.8
12H	4H	10.8	11.2	11.3	11.6	12.2	10.3	10.7	10.8	11.2	11.7
	6H	10.8	11.1	11.4	11.6	12.1	10.4	10.6	10.9	11.2	11.7
	8H	10.8	11.0	11.4	11.5	12.1	10.4	10.7	11.0	11.2	11.7