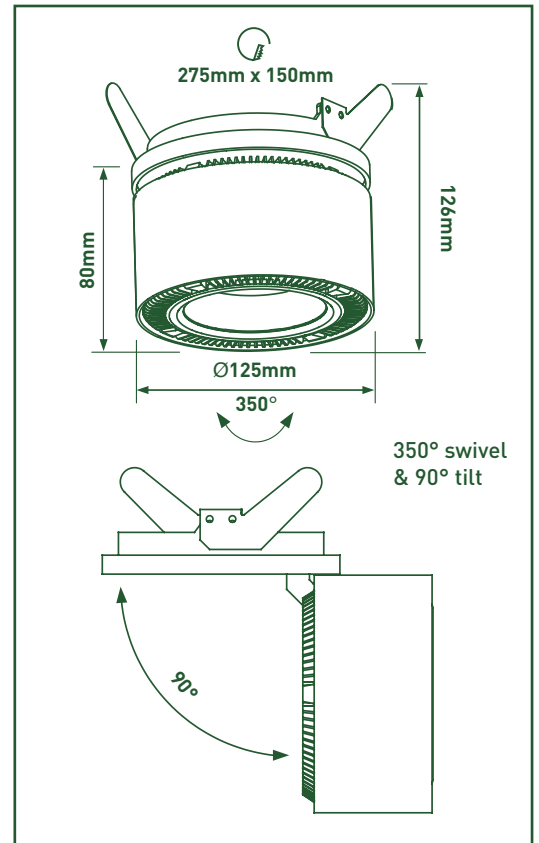


## SEMI RECESSED DOWNLIGHT

- Manufactured in aluminium
- Leaf clip installation
- Gimbal - adjustable positioning
- Double insulated
- Fixed output driver = LDR20500
- Dimmable driver = LDRDIM15500



<b>4000K</b> NEUTRAL WHITE	<b>500</b> mA	BEAM ANGLE <b>15°</b>	<b>WHITE</b> FINISH	<b>IP20</b> RATED	<b>230v</b> /50hz	<b>CRI</b> <b>&gt;80</b>
----------------------------------	------------------	-----------------------------	------------------------	----------------------	----------------------	-----------------------------

CAT NO.	LUMINAIRE LUMENS	WATTAGE	EFFICACY LLM/W
LKT6566	1280	14.3W	90

<b>3 year</b> standard WARRANTY	<b>1 year</b> on site WARRANTY	3 years standard and 1 year onsite warranty available in the UK. Rest of the world may vary, please ask your local distributor for more information.
---------------------------------------	--------------------------------------	--

### STANDARDS

EN 60598-1	Luminaires - General requirements
EN 60598-2-2	Luminaires - Recessed
EN 61347-1	Lamp controlgear - Part 1: General and safety requirements
EN 61347-2-13	Lamp controlgear - Part 2-13 : Particular requirements for d.c. or a.c. supplied electronic controlgear for LED modules
EN 55015	Limits and methods of measurement of radio disturbance characteristics of electrical lighting and similar equipment
EN 61547	Equipment for general lighting purposes - EMC immunity requirements
EN 61000-3-2	Electromagnetic compatibility (EMC) - Part 3-2: Limits - for harmonic current emissions
EN 62471	Photobiological safety of lamps and lamp systems
2002/96/EC	Waste Electrical & Electronic Equipment (WEEE)
2011/65/EU	Restriction of the use of certain Hazardous Substances in EEE (RoHS)
(EC) No 1907/2006	The Registration, Evaluation, Authorisation and Restriction of Chemicals (REACH)

▼ CONTINUED



**LUCECO**

The luminaire contains built-in LED lamps.

A++  
A+  
A  
B  
C  
D  
E

**A+**

The lamps cannot be changed in the luminaire.

874/2012

Tech Help Line  
UK - **03300 249 279**  
Non UK - **+44 (0)1952 238 100**

Supplied by Nexus Industries Ltd  
Nexus Distribution Centre, Stafford Park 1  
Telford, Shropshire, TF3 3BD

Visit our website at  
**www.luceco.uk**

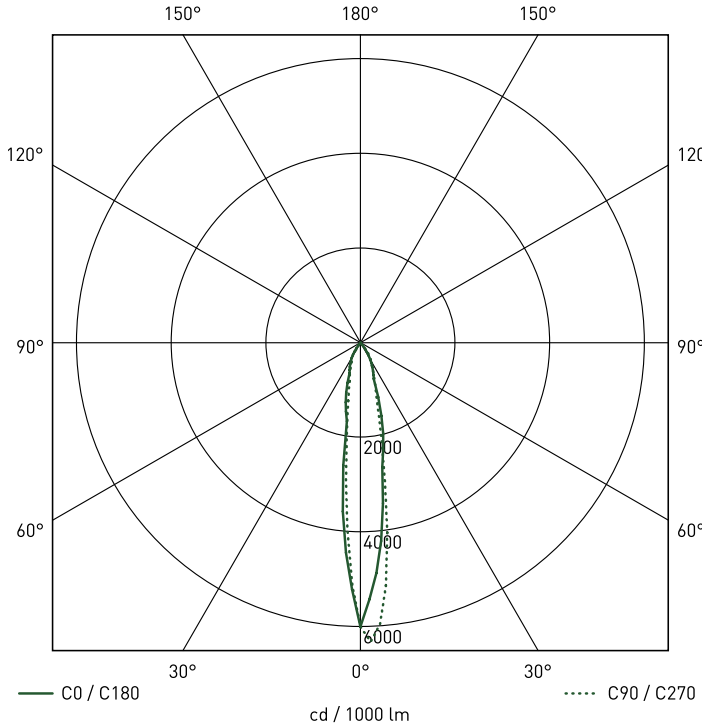
# LUCECO PHOTOMETRIC DATA

## LKT6566

### LUMINAIRE PERFORMANCE

Light Output Ratio:	107.03%	Quantity:	1
Luminaire Efficacy:	89.44 lm/W	Designation:	LED
Light Distribution:	A40 ↓100.0% ↑0.0%	Colour Temperature:	4000K
CIE Flux Codes:	99 100 100 100 106	Luminous flux:	1195 lm
UGR 4H 8H (20%, 50%, 70%) C0 / C90:	13.5 / 11.0	CRI:	82.4

### LUMINOUS INTENSITY



	C0	C90	C180
0°	6000	6000	6000
5°	4563	5612	4033
10°	2669	2981	1686
15°	1799	1430	1200
20°	817	889	686
25°	617	605	533
30°	409	414	378
35°	208	328	190
40°	6	23	3
45°	5	3	3
50°	3	3	3
55°	3	3	3
60°	3	3	3
65°	3	3	3
70°	2	3	2
75°	2	2	2
80°	1	2	2
85°	0	2	0
90°	0	0	0
	cd / 1000 lm		

### UNIFIED GLARE RATING (UGR) TABLE

#### REFLECTANCE OF

CEILING	0.7	0.7	0.5	0.5	0.3	0.7	0.7	0.5	0.5	0.3
WALLS	0.5	0.3	0.5	0.3	0.3	0.5	0.3	0.5	0.3	0.3
FLOOR CAVITY	0.2	0.2	0.2	0.2	0.2	0.2	0.2	0.2	0.2	0.2

#### ROOM DIMENSION

ROOM DIMENSION		VIEWED CROSSWISE					VIEWED ENDWISE				
x	y										
2H	2H	14.4	15.1	14.7	15.4	15.7	11.7	12.4	12.0	12.7	13.1
	3H	14.1	14.8	14.5	15.1	15.5	11.5	12.1	11.9	12.5	12.8
	4H	14.0	14.6	14.4	15.0	15.4	11.4	12.0	11.8	12.4	12.7
	6H	13.9	14.5	14.4	14.9	15.3	11.3	11.9	11.7	12.3	12.7
	8H	13.8	14.4	14.3	14.8	15.2	11.3	11.8	11.7	12.2	12.6
	12H	13.8	14.3	14.2	14.7	15.1	11.2	11.8	11.7	12.2	12.6
4H	2H	14.0	14.6	14.4	15.0	15.3	11.3	11.9	11.7	12.3	12.7
	3H	13.7	14.3	14.2	14.7	15.1	11.1	11.6	11.5	12.0	12.5
	4H	13.7	14.1	14.1	14.5	15.0	11.1	11.5	11.5	11.9	12.4
	6H	13.5	13.9	14.0	14.4	14.8	11.0	11.4	11.5	11.8	12.3
	8H	13.5	13.8	14.0	14.3	14.8	11.0	11.3	11.5	11.8	12.3
	12H	13.4	13.8	13.9	14.2	14.7	11.0	11.4	11.5	11.8	12.4
8H	4H	13.4	13.8	13.9	14.3	14.7	10.9	11.2	11.3	11.7	12.2
	6H	13.3	13.6	13.8	14.1	14.6	10.8	11.1	11.3	11.6	12.1
	8H	13.3	13.6	13.8	14.1	14.6	10.9	11.1	11.4	11.7	12.2
	12H	13.2	13.4	13.8	13.9	14.5	11.0	11.2	11.5	11.7	12.2
12H	4H	13.4	13.7	13.9	14.2	14.7	10.8	11.1	11.3	11.6	12.1
	6H	13.3	13.5	13.8	14.1	14.6	10.8	11.1	11.3	11.6	12.1
	8H	13.2	13.4	13.8	14.0	14.5	10.8	11.1	11.4	11.6	12.1