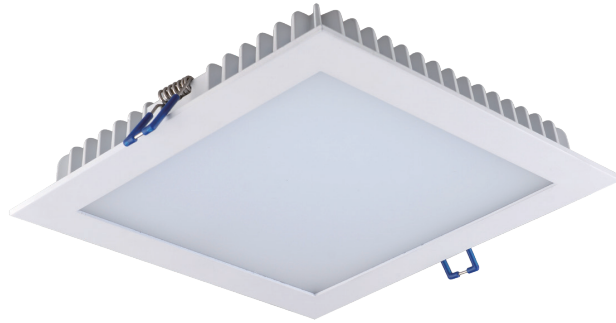
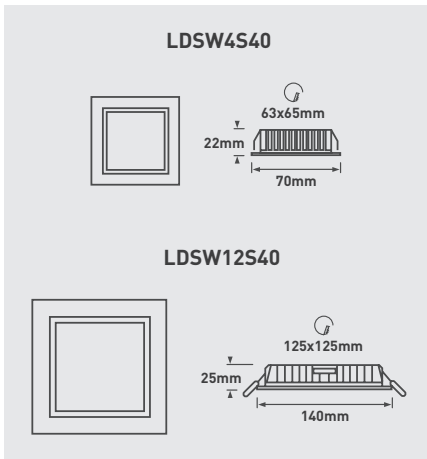


SQUARE DOWNLIGHT RECESSED



- Remote fixed output driver included
- Running cost savings up to 60% vs fluorescent



4000K
NEUTRAL
WHITE

35,000
HOURS

WHITE
FINISH

CAT NO.	DRIVER	LUMINAIRE LUMENS	WATTAGE	EFFICACY Llm/W	CURRENT
LDSW4S40	Standard	350	4.5W	78	350mA
LDSW12S40	Standard	1200	15W	80	350mA

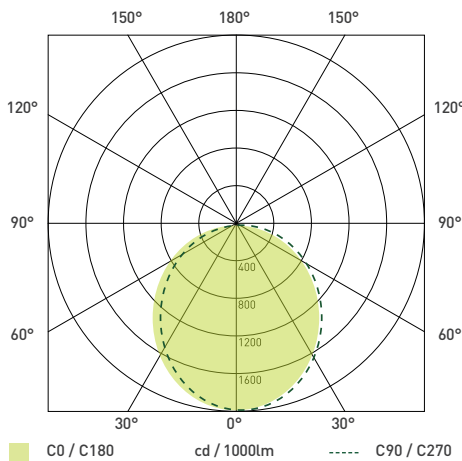
	LENGTH / DIA (mm)	WIDTH (mm)	HEIGHT / DEPTH (mm)	WEIGHT (kg)	L FIXING CENTRES (mm)	W FIXING CENTRES (mm)	CEILING CUTOUT (mm)	LUMINAIRE LUMENS (Llm)	LUMINAIRE WATTAGE (W)	EFFICACY (Llm/W)	CCT (K)	CRI	UGR	IP RATED	IK RATED	GLOW WIRE (°C)	RAL COLOUR	TEMP. RANGE (°C)	RATED LIFE (HR)	AMBIENT TEMP. RATED LIFE (°C)	L AT RATED LIFE	B AT RATED LIFE	VOLTAGE RANGE	FREQUENCY	EMERGENCY PACK CODE	WARRANTY (YEARS)
LDSW4S40	70	70	22	0.9	N/A	N/A	63 X 65	350	4.5	78	4000	>80	≤28	IP20	N/A	650	9016	-20 to +40	35,000	25	70	50	220-240V	50hz	N/A	3
LDSW12S40	140	140	22	1.6	N/A	N/A	140 X 140	1200	15	80	4000	>80	≤28	IP20	N/A	650	9016	-20 to +40	35,000	25	70	50	220-240V	50hz	N/A	3

LDSW4S40

LUMINAIRE PERFORMANCE

Light Output Ratio: 100%
 Luminaire Efficacy: 70 lm/W
 Light Distribution: A40 ↓100.0% ↑0.0%
 CIE Flux Codes: 50 81 97 100 100
 UGR 4H 8H (20%, 50%, 70%)C0 / C90: 29.5 / 27.8

LUMINOUS INTENSITY

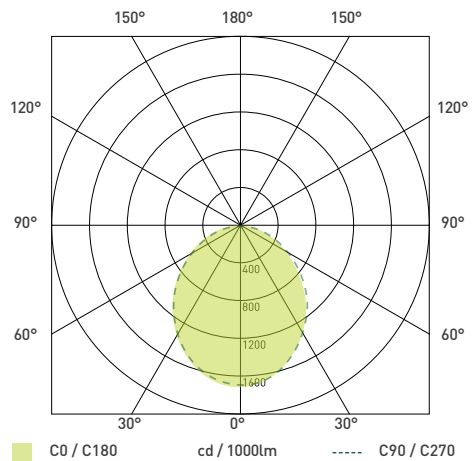


LDSW12S40

LUMINAIRE PERFORMANCE

Light Output Ratio: 100%
 Luminaire Efficacy: 82 lm/W
 Light Distribution: A72 ↓100.0% ↑0.0%
 CIE Flux Codes: 52 83 98 100 100
 UGR 4H 8H (20%, 50%, 70%)C0 / C90: 28.1 / 27.7

LUMINOUS INTENSITY



LUCECO

This luminaire contains built-in LED lamps.

A++
A+
A
~~**B**~~
~~**C**~~
~~**D**~~
~~**E**~~

} LED

The lamps cannot be changed in the luminaire.

874/2012

STANDARDS

EN 60598-1	Luminaires - General requirements
EN 60598-2-2	Luminaires - Recessed
EN 60598-2-22	Luminaires - Emergency
EN 61347-1	Lamp controlgear - Part 1: General and safety requirements
EN 61347-2-13	Lamp controlgear - Part 2-13 : Particular requirements for d.c. or a.c. supplied electronic controlgear for LED modules
EN 55015	Limits and methods of measurement of radio disturbance characteristics of electrical lighting and similar equipment
EN 61547	Equipment for general lighting purposes - EMC immunity requirements
EN 61000-3-2	Electromagnetic compatibility (EMC) - Part 3-2: Limits - for harmonic current emissions
EN 62471	Photobiological safety of lamps and lamp systems
2002/96/EC	Waste Electrical & Electronic Equipment (WEEE)
2011/65/EU	Restriction of the use of certain Hazardous Substances in EEE (RoHS)
(EC) No 1907/2006	The Registration, Evaluation, Authorisation and Restriction of Chemicals (REACH)