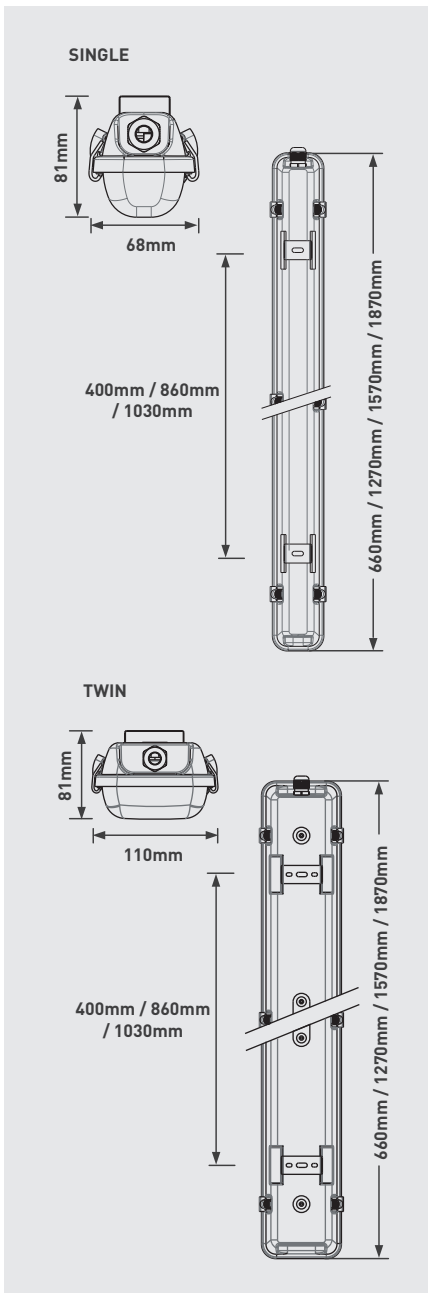


ECO CLIMATE LED ARRAY



- Designed for surface mount applications in industrial environments
- Opal Diffuser for improved appearance and uniformity
- Polycarbonate Construction
- Stainless steel anti-tamper diffuser clips



SINGLE

CAT NO.	DRIVER	SIZE	LUMINAIRE LUMENS	WATTAGE	EFFICACY Llm/W
ECL6010L40	Standard	2ft / 660mm	1000	10W	100
ECL6010EL40	Emergency	2ft / 660mm	1000	10W	100
ECL12021L40	Standard	4ft / 1270mm	2100	21W	100
ECL12021EL40	Emergency	4ft / 1270mm	2100	21W	100
ECL15031L40	Standard	5ft / 1570mm	3100	31W	100
ECL15031EL40	Emergency	5ft / 1570mm	3100	31W	100
ECL18042L40	Standard	6ft / 1870mm	4200	42W	100
ECL18042EL40	Emergency	6ft / 1870mm	4200	42W	100

TWIN

CAT NO.	DRIVER	SIZE	LUMINAIRE LUMENS	WATTAGE	EFFICACY Llm/W
ECL6019L40	Standard	2ft / 660mm	1900	19W	100
ECL6019EL40	Emergency	2ft / 660mm	1900	19W	100
ECL12043L40	Standard	4ft / 1270mm	4300	43W	100
ECL12043EL40	Emergency	4ft / 1270mm	4300	43W	100
ECL15063L40	Standard	5ft / 1570mm	6300	63W	100
ECL15063EL40	Emergency	5ft / 1570mm	6300	63W	100
ECL18084L40	Standard	6ft / 1870mm	8400	84W	100
ECL18084EL40	Emergency	6ft / 1870mm	8400	84W	100

ECL6010L40

LUMINAIRE PERFORMANCE

Light Output Ratio: 100%
 Luminaire Efficacy: 105.99 lm/W
 Light Distribution: A30 ↓100.0% ↑0.0%
 CIE Flux Codes: 44 75 95 100 100

ECL6019L40

LUMINAIRE PERFORMANCE

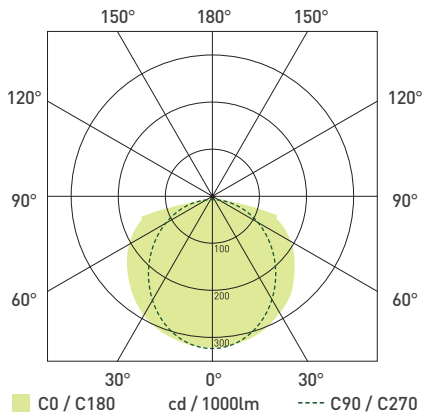
Light Output Ratio: 100%
 Luminaire Efficacy: 101 lm/W
 Light Distribution: A40 ↓100.0% ↑0.0%
 CIE Flux Codes: 45 76 96 100 100

ECL12021L40

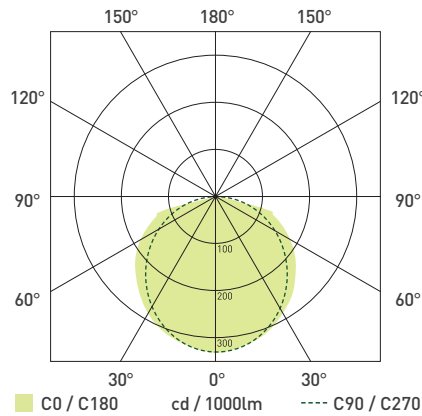
LUMINAIRE PERFORMANCE

Light Output Ratio: 100%
 Luminaire Efficacy: 95.74 lm/W
 Light Distribution: A30 ↓100.0% ↑0.0%
 CIE Flux Codes: 41 73 95 100 95

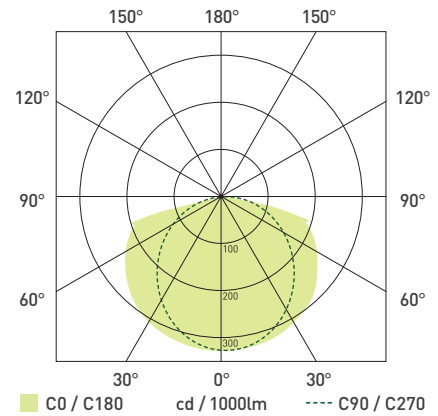
LUMINOUS INTENSITY



LUMINOUS INTENSITY



LUMINOUS INTENSITY



ECL12043L40

LUMINAIRE PERFORMANCE

Light Output Ratio: 100%
 Luminaire Efficacy: 99.45 lm/W
 Light Distribution: A40 ↓100.0% ↑0.0%
 CIE Flux Codes: 44 76 96 100 100

ECL15031L40

LUMINAIRE PERFORMANCE

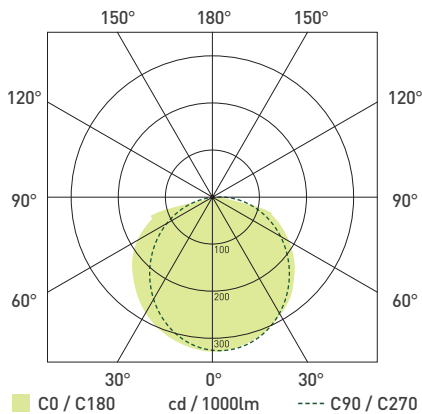
Light Output Ratio: 100%
 Luminaire Efficacy: 93.44 lm/W
 Light Distribution: A30 ↓100.0% ↑0.0%
 CIE Flux Codes: 42 73 95 100 94

ECL15063L40

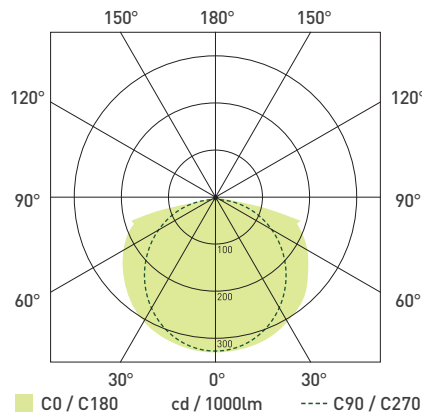
LUMINAIRE PERFORMANCE

Light Output Ratio: 100%
 Luminaire Efficacy: 102.4 lm/W
 Light Distribution: A40 ↓100.0% ↑0.0%
 CIE Flux Codes: 44 76 96 100 102

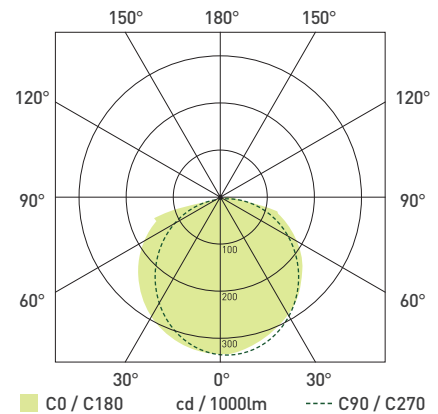
LUMINOUS INTENSITY



LUMINOUS INTENSITY



LUMINOUS INTENSITY

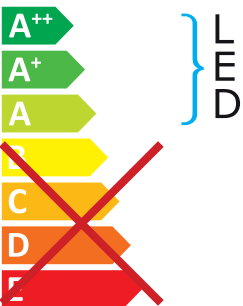


	LENGTH / DIA (mm)	WIDTH (mm)	HEIGHT / DEPTH (mm)	WEIGHT (kg)	L FIXING CENTRES (mm)	W FIXING CENTRES (mm)	CEILING CUTOOUT (mm)	LUMINAIRE LUMENS (Llm)	LUMINAIRE WATTAGE (W)	EFFICACY (Llm/W)	CCT (K)	CRI	UGR	IP RATED	IK RATED	GLOW WIRE (°C)	RAL COLOUR	TEMP RANGE (°C)	RATED LIFE (HR)	AMBIENT TEMP. RATED LIFE (°C)	L AT RATED LIFE	B AT RATED LIFE	VOLTAGE RANGE	FREQUENCY	EMERGENCY PACK CODE	WARRANTY (YEARS)
ECL6010L40	656	68	81	0.6	400	N/A	N/A	1000	10	100	4000	>80	≤21	IP65	IK08	850	Grey/Opal	-10 to +25	30,000	25	70	50	220-240V	50-60Hz	N/A	3
ECL6010EL40	656	68	81	0.6	400	N/A	N/A	1000	10	100	4000	>80	≤21	IP65	IK08	850	Grey/Opal	0 +25	30,000	25	70	50	220-240V	50-60Hz	N/A	3
ECL12021L40	1267	68	81	1.15	860	N/A	N/A	2100	21	100	4000	>80	≤21	IP65	IK08	850	Grey/Opal	-10 to +25	30,000	25	70	50	220-240V	50-60Hz	N/A	3
ECL12021EL40	1267	68	81	1.15	860	N/A	N/A	2100	21	100	4000	>80	≤21	IP65	IK08	850	Grey/Opal	0 +25	30,000	25	70	50	220-240V	50-60Hz	N/A	3
ECL15031L40	1567	68	81	1.65	1030	N/A	N/A	3100	31	100	4000	>80	≤22	IP65	IK08	850	Grey/Opal	-10 to +25	30,000	25	70	50	220-240V	50-60Hz	N/A	3
ECL15031EL40	1567	68	81	1.65	1030	N/A	N/A	3100	31	100	4000	>80	≤22	IP65	IK08	850	Grey/Opal	0 +25	30,000	25	70	50	220-240V	50-60Hz	N/A	3
ECL18042L40	1868	68	81	-	-	N/A	N/A	4200	42	100	4000	>80	≤22	IP65	IK08	850	Grey/Opal	-10 to +25	30,000	25	70	50	220-240V	50-60Hz	N/A	3
ECL18042EL40	1868	68	81	-	-	N/A	N/A	4200	42	100	4000	>80	≤22	IP65	IK08	850	Grey/Opal	0 +25	30,000	25	70	50	220-240V	50-60Hz	N/A	3
ECL6019L40	656	110	81	0.85	400	N/A	N/A	1900	19	100	4000	>80	≤22	IP65	IK08	850	Grey/Opal	-10 to +25	30,000	25	70	50	220-240V	50-60Hz	N/A	3
ECL6019EL40	656	110	81	0.85	400	N/A	N/A	1900	19	100	4000	>80	≤22	IP65	IK08	850	Grey/Opal	0 +25	30,000	25	70	50	220-240V	50-60Hz	N/A	3
ECL12043L40	1267	110	81	1.8	860	N/A	N/A	4300	43	100	4000	>80	≤22	IP65	IK08	850	Grey/Opal	-10 to +25	30,000	25	70	50	220-240V	50-60Hz	N/A	3
ECL12043EL40	1267	110	81	1.8	860	N/A	N/A	4300	43	100	4000	>80	≤22	IP65	IK08	850	Grey/Opal	0 +25	30,000	25	70	50	220-240V	50-60Hz	N/A	3
ECL15063L40	1567	110	81	2.1	1030	N/A	N/A	6300	63	100	4000	>80	≤23	IP65	IK08	850	Grey/Opal	-10 to +25	30,000	25	70	50	220-240V	50-60Hz	N/A	3
ECL15063EL40	1567	110	81	2.1	1030	N/A	N/A	6300	63	100	4000	>80	≤23	IP65	IK08	850	Grey/Opal	0 +25	30,000	25	70	50	220-240V	50-60Hz	N/A	3
ECL18084L40	1868	110	81	-	-	N/A	N/A	8400	84	100	4000	>80	≤23	IP65	IK08	850	Grey/Opal	-10 to +25	30,000	25	70	50	220-240V	50-60Hz	N/A	3
ECL18084EL40	1868	110	81	-	-	N/A	N/A	8400	84	100	4000	>80	≤23	IP65	IK08	850	Grey/Opal	0 +25	30,000	25	70	50	220-240V	50-60Hz	N/A	3

LUCECO



This luminaire contains built-in LED lamps.



The lamps cannot be changed in the luminaire.

874/2012



STANDARDS

EN 60598-1	Luminaires - General requirements
EN 60598-2-1	Luminaires - Fixed general purpose
EN 60598-2-22	Luminaires - Emergency
EN 61347-1	Lamp controlgear - Part 1: General and safety requirements
EN 61347-2-13	Lamp controlgear - Part 2-13 : Particular requirements for d.c. or a.c. supplied electronic controlgear for LED modules
EN 55015	Limits and methods of measurement of radio disturbance characteristics of electrical lighting and similar equipment
EN 61547	Equipment for general lighting purposes - EMC immunity requirements
EN 61000-3-2	Electromagnetic compatibility (EMC) - Part 3-2: Limits - for harmonic current emissions
EN 62471	Photobiological safety of lamps and lamp systems
2002/96/EC	Waste Electrical & Electronic Equipment (WEEE)
2011/65/EU	Restriction of the use of certain Hazardous Substances in EEE (RoHS)
(EC) No 1907/2006	The Registration, Evaluation, Authorisation and Restriction of Chemicals (REACH)

