

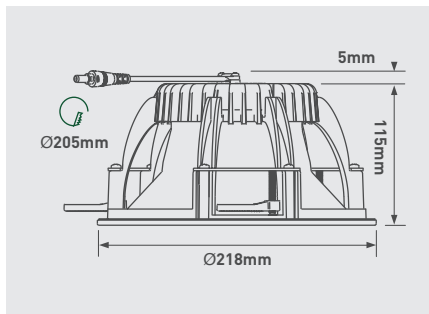
PLATINUM DOWNLIGHT

- Ideal alternative to CFL downlights
- Suitable for 203mm -210mm cutout, recommended 205 mm
- Easy fit positive locating swing tabs
- Supplied with white bezel
- Suitable for use with Remote Emergency Pack - LED3EP80-0J



GLOSS REFLECTOR

MATT REFLECTOR



4000K NEUTRAL WHITE	50,000 HOURS	BEAM ANGLE 90°	WHITE FINISH
---------------------------	-----------------	----------------------	-----------------

GLOSS REFLECTOR

CAT NO.	DRIVER	LUMINAIRE LUMENS	WATTAGE	EFFICACY Llm/W	CURRENT
LDP20W12GS40	Standard	1200	9.5W	126	250mA
LDP20W12GD40	Digital Dimmable	1200	9.5W	126	250mA
LDP20W16GS40	Standard	1600	13W	123	350mA
LDP20W16GD40	Digital Dimmable	1600	13W	123	350mA
LDP20W22GS40	Standard	2200	17W	129	500mA
LDP20W22GD40	Digital Dimmable	2200	17W	129	500mA
LDP20W32GS40	Standard	3200	25W	128	700mA
LDP20W32GD40	Digital Dimmable	3200	25W	128	700mA

MATT REFLECTOR

CAT NO.	DRIVER	LUMINAIRE LUMENS	WATTAGE	EFFICACY Llm/W	CURRENT
LDP20W12MS40	Standard	1200	9.5W	126	250mA
LDP20W12MD40	Digital Dimmable	1200	9.5W	126	250mA
LDP20W16MS40	Standard	1600	13W	123	350mA
LDP20W16MD40	Digital Dimmable	1600	13W	123	350mA
LDP20W22MS40	Standard	2200	17W	129	500mA
LDP20W22MD40	Digital Dimmable	2200	17W	129	500mA
LDP20W32MS40	Standard	3200	25W	128	700mA
LDP20W32MD40	Digital Dimmable	3200	25W	128	700mA

ACCESSORIES

CAT NO.	DESCRIPTION	IP RATING
LDP20BPC	Polished Chrome	IP44
LDP20BBS	Brushed Steel	IP44
LDP20BWHEM	White - Integrated Emergency indicator	IP44
LDP20BWHDH	White - Dropped Halo Glass	IP44
LDP20BWHDF	White - Dropped Frosted Glass	IP44
LDP20BPCDH	Polished Chrome - Dropped Halo Glass	IP44
LDP20BPCDF	Polished Chrome - Dropped Frosted Glass	IP44
LDP20BBSDH	Brushed Steel - Dropped Halo Glass	IP44
LDP20BBSDF	Brushed Steel - Dropped Frosted Glass	IP44
LDP20BWHIP	White - Clear Diffuser	IP65
LDP20BWHIF	White - Frosted Diffuser	IP65

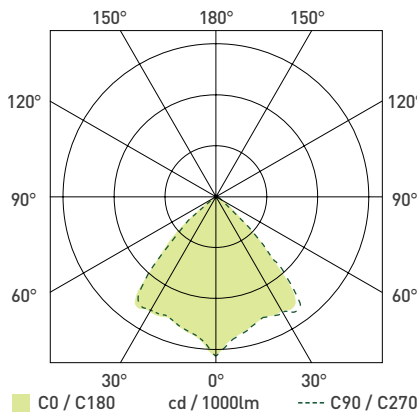
	LENGTH / DIA (mm)	WIDTH (mm)	HEIGHT / DEPTH (mm)	WEIGHT (kg)	L FIXING CENTRES (mm)	W FIXING CENTRES (mm)	CEILING CUTOUT (mm)	LUMINAIRE LUMENS (Llm)	LUMINAIRE WATTAGE (W)	EFFICACY (Llm/W)	CCT (K)	CRI	UGR	IP RATED	IK RATED	GLOW WIRE (°C)	RAL COLOUR	TEMP RANGE (°C)	RATED LIFE (HR)	AMBIENT TEMP. RATED LIFE (°C)	L-AT RATED LIFE	B-AT RATED LIFE	VOLTAGE RANGE	FREQUENCY	EMERGENCY PACK CODE	WARRANTY (YEARS)
LDP20W12MS40	218	N/A	115	1.15	N/A	N/A	205	1200	9.5	126	4000	>80	18	IP44	N/A	650	9016	-20 ⁺ 30	50,000	25	70	10	220-240V	50hz	LED3E P80	5
LDP20W12MD40	218	N/A	115	1.15	N/A	N/A	205	1200	9.5	126	4000	>80	18	IP44	N/A	650	9016	-20 ⁺ 30	50,000	25	70	10	220-240V	50hz	LED3E P80	5
LDP20W16MS40	218	N/A	115	1.15	N/A	N/A	205	1600	13	123	4000	>80	19	IP44	N/A	650	9016	-20 ⁺ 30	50,000	25	70	10	220-240V	50hz	LED3E P80	5
LDP20W16MD40	218	N/A	115	1.15	N/A	N/A	205	1600	13	123	4000	>80	19	IP44	N/A	650	9016	-20 ⁺ 30	50,000	25	70	10	220-240V	50hz	LED3E P80	5
LDP20W22MS40	218	N/A	115	1.15	N/A	N/A	205	2200	17	129	4000	>80	20	IP44	N/A	650	9016	-20 ⁺ 30	50,000	25	70	10	220-240V	50hz	LED3E P80	5
LDP20W22MD40	218	N/A	115	1.15	N/A	N/A	205	2200	17	129	4000	>80	20	IP44	N/A	650	9016	-20 ⁺ 30	50,000	25	70	10	220-240V	50hz	LED3E P80	5
LDP20W32MS40	218	N/A	115	1.15	N/A	N/A	205	3200	25	128	4000	>80	21	IP44	N/A	650	9016	-20 ⁺ 30	50,000	25	70	10	220-240V	50hz	LED3E P80	5
LDP20W32MD40	218	N/A	115	1.15	N/A	N/A	205	3200	25	128	4000	>80	21	IP44	N/A	650	9016	-20 ⁺ 30	50,000	25	70	10	220-240V	50hz	LED3E P80	5
LDP20W12GS40	218	N/A	115	1.15	N/A	N/A	205	1200	9.5	126	4000	>80	18	IP44	N/A	650	9016	-20 ⁺ 30	50,000	25	70	10	220-240V	50hz	LED3E P80	5
LDP20W12GD40	218	N/A	115	1.15	N/A	N/A	205	1200	9.5	126	4000	>80	18	IP44	N/A	650	9016	-20 ⁺ 30	50,000	25	70	10	220-240V	50hz	LED3E P80	5
LDP20W16GS40	218	N/A	115	1.15	N/A	N/A	205	1600	13	123	4000	>80	19	IP44	N/A	650	9016	-20 ⁺ 30	50,000	25	70	10	220-240V	50hz	LED3E P80	5
LDP20W16GD40	218	N/A	115	1.15	N/A	N/A	205	1600	13	123	4000	>80	19	IP44	N/A	650	9016	-20 ⁺ 30	50,000	25	70	10	220-240V	50hz	LED3E P80	5
LDP20W22GS40	218	N/A	115	1.15	N/A	N/A	205	2200	17	129	4000	>80	20.5	IP44	N/A	650	9016	-20 ⁺ 30	50,000	25	70	10	220-240V	50hz	LED3E P80	5
LDP20W22GD40	218	N/A	115	1.15	N/A	N/A	205	2200	17	129	4000	>80	20.5	IP44	N/A	650	9016	-20 ⁺ 30	50,000	25	70	10	220-240V	50hz	LED3E P80	5
LDP20W32GS40	218	N/A	115	1.15	N/A	N/A	205	3200	25	128	4000	>80	22	IP44	N/A	650	9016	-20 ⁺ 30	50,000	25	70	10	220-240V	50hz	LED3E P80	5
LDP20W32GD40	218	N/A	115	1.15	N/A	N/A	205	3200	25	128	4000	>80	22	IP44	N/A	650	9016	-20 ⁺ 30	50,000	25	70	10	220-240V	50hz	LED3E P80	5

LDP20W12GS40

LUMINAIRE PERFORMANCE

Light Output Ratio: 100%
 Luminaire Efficacy: 126.32 lm/W
 Light Distribution: A60 ↓98.9% ↑1.1%
 CIE Flux Codes: 80 99 100 99 101
 UGR 4H 8H (20%, 50%, 70%)C0 / C90: 18.4 / 18.3

LUMINOUS INTENSITY

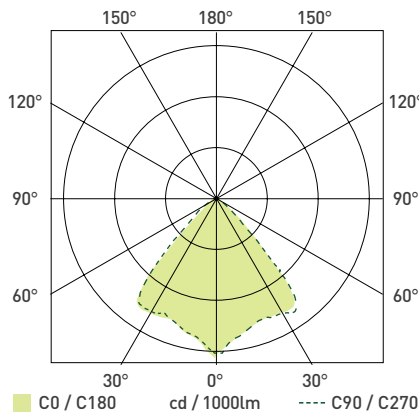


LDP20W16GS40

LUMINAIRE PERFORMANCE

Light Output Ratio: 100%
 Luminaire Efficacy: 123.08 lm/W
 Light Distribution: A60 ↓98.9% ↑1.1%
 CIE Flux Codes: 80 99 100 99 101
 UGR 4H 8H (20%, 50%, 70%)C0 / C90: 19.4 / 19.3

LUMINOUS INTENSITY

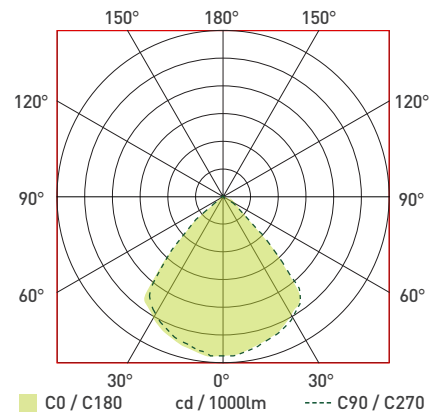


LDP20W16MS40

LUMINAIRE PERFORMANCE

Light Output Ratio: 100%
 Luminaire Efficacy: 123.08 lm/W
 Light Distribution: A60 ↓98.9% ↑1.1%
 CIE Flux Codes: 80 98 100 99 98
 UGR 4H 8H (20%, 50%, 70%)C0 / C90: 19.1 / 19.0

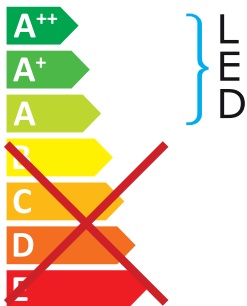
LUMINOUS INTENSITY



LUCECO



This luminaire contains built-in LED lamps.



The lamps cannot be changed in the luminaire.

874/2012



STANDARDS

EN 60598-1	Luminaires - General requirements
EN 60598-2-2	Luminaires - Recessed
EN 60598-2-22	Luminaires - Emergency
EN 61347-1	Lamp controlgear - Part 1: General and safety requirements
EN 61347-2-13	Lamp controlgear - Part 2-13 : Particular requirements for d.c. or a.c. supplied electronic controlgear for LED modules
EN 55015	Limits and methods of measurement of radio disturbance characteristics of electrical lighting and similar equipment
EN 61547	Equipment for general lighting purposes - EMC immunity requirements
EN 61000-3-2	Electromagnetic compatibility (EMC) - Part 3-2: Limits - for harmonic current emissions
EN 62471	Photobiological safety of lamps and lamp systems
2002/96/EC	Waste Electrical & Electronic Equipment (WEEE)
2011/65/EU	Restriction of the use of certain Hazardous Substances in EEE (RoHS)
(EC) No 1907/2006	The Registration, Evaluation, Authorisation and Restriction of Chemicals (REACH)



RoHS

