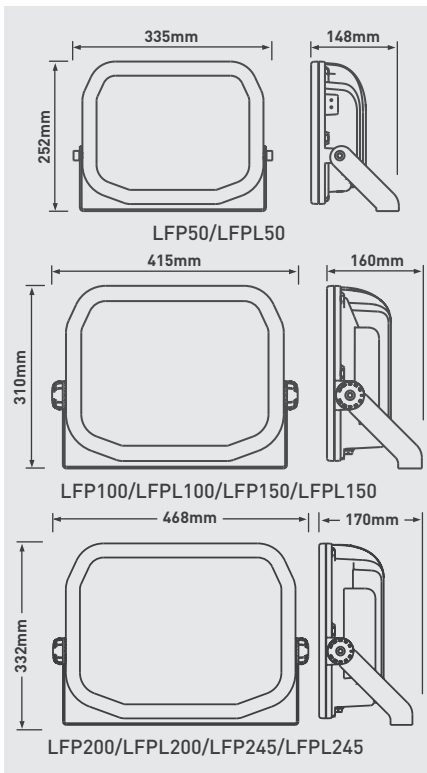


## GUARDIAN PRO FLOODLIGHTS



- Horizontal mounting floodlight
- Maintenance free
- Pre-wired 1m of H05RN-F rubber cable
- "Fit and tilt" bracket for simple installation
- Tilt adjustment locks



**4000K**  
NEUTRAL  
WHITE

**70,000**  
HOURS

**GREY FINISH**  
RAL7016

**BEAM ANGLE**  
63x120°

**IP65 RATED**

**5 year**  
Standard  
WARRANTY

CAT NO.	DRIVER	LUMINAIRE LUMENS	WATTAGE	EFFICACY Llm/W	Projected Area
LFP50B140F	Standard	6000	50W	120	0.038m <sup>2</sup>
LFPL50B140F	Integrated Photocell	6000	50W	120	0.038m <sup>2</sup>
LFP100B140F	Standard	11500	100W	115	0.052m <sup>2</sup>
LFPL100B140F	Integrated Photocell	11500	100W	115	0.052m <sup>2</sup>
LFP150B140F	Standard	17500	150W	117	0.052m <sup>2</sup>
LFPL150B140F	Integrated Photocell	17500	150W	117	0.052m <sup>2</sup>
LFP200B140F	Standard	24000	200W	120	0.065m <sup>2</sup>
LFPL200B140F	Integrated Photocell	24000	200W	120	0.065m <sup>2</sup>
LFP245B140F	Standard	28000	245W	114	0.065m <sup>2</sup>
LFPL245B140F	Integrated Photocell	28000	245W	114	0.065m <sup>2</sup>

### LFP EQUIVALENT WATTAGES TO HID

LFP	MBF	HQI/SON	SUGGEST MOUNT HT
LFP50	125W	70W	3 - 5m
LFP100	250W	150W	4 - 6m
LFP150	400W	250W	5 - 8m
LFP200	400W	400W	6 - 10m
LFP245	400W	400W	8 - 12m

**NOTE** - All figures are suggestions and it is recommended to have a full lighting design prepared to validate

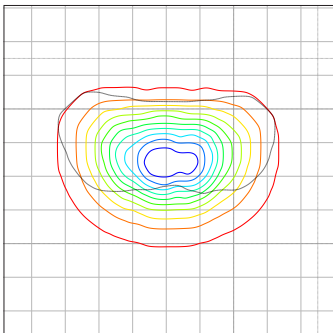
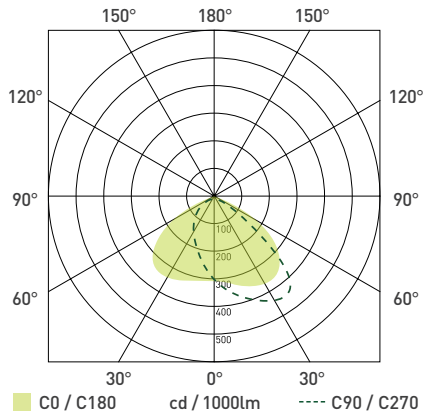
	LENGTH / DIA (mm)	WIDTH (mm)	HEIGHT / DEPTH (mm)	WEIGHT (kg)	L FIXING CENTRES (mm)	W FIXING CENTRES (mm)	CEILING CUTOFF (mm)	LUMINAIRE LUMENS (Llm)	LUMINAIRE WATTAGE (W)	EFFICACY (Llm/W)	CCT (K)	CRI	UGR	IP RATED	IK RATED	GLOW WIRE (°C)	RAL COLOUR	TEMP RANGE (°C)	RATED LIFE (HR)	AMBIENT TEMP. RATED LIFE (°C)	L AT RATED LIFE	B AT RATED LIFE	VOLTAGE RANGE	FREQUENCY	SURGE PROTECTION (kV)	WARRANTY (YEARS)
LFP50B140F	335	252	148	4.7	170 -190	20mm central	N/A	6000	50	120	4000	>70	N/A	IP65	IK08	N/A	7016	-20 to +25	70,000	25	80	10	220-240V	50-60Hz	2	5
LFPL100B140F	415	310	160	7	170 -190	20mm central	N/A	11500	100	115	4000	>70	N/A	IP65	IK08	N/A	7016	-20 to +25	70,000	25	80	10	220-240V	50-60Hz	2	5
LFPL160B140F	415	310	160	7.4	170 -190	20mm central	N/A	17500	150	117	4000	>70	N/A	IP65	IK08	N/A	7016	-20 to +25	70,000	25	80	10	220-240V	50-60Hz	2	5
LFP230B140F	468	332	170	9.3	190 -210	20mm central	N/A	24000	200	120	4000	>70	N/A	IP65	IK08	N/A	7016	-20 to +25	70,000	25	80	10	220-240V	50-60Hz	2	5
LFP245B140F	468	332	170	9.3	190 -210	20mm central	N/A	28000	245	114	4000	>70	N/A	IP65	IK08	N/A	7016	-20 to +25	70,000	25	80	10	220-240V	50-60Hz	2	5

## LFP50B140F

### LUMINAIRE PERFORMANCE

Light Output Ratio: 100%  
 Luminaire Efficacy: 119.98 lm/W  
 Light Distribution: A50 ↓100% ↑0%  
 CIE Flux Codes: 52 91 100 99 100

### LUMINOUS INTENSITY



**LUCECO**

This luminaire contains built-in LED lamps.

A++

A+

A

B

C

D

E

} LED

The lamps cannot be changed in the luminaire.

874/2012

### STANDARDS

EN 60598-1	Luminaires - General requirements
EN 60598-2-5	Luminaires - Floodlights
EN 61347-1	Lamp controlgear - Part 1: General and safety requirements
EN 61347-2-13	Lamp controlgear - Part 2-13 : Particular requirements for d.c. or a.c. supplied electronic controlgear for LED modules
EN 55015	Limits and methods of measurement of radio disturbance characteristics of electrical lighting and similar equipment
EN 61547	Equipment for general lighting purposes - EMC immunity requirements
EN 61000-3-2	Electromagnetic compatibility (EMC) - Part 3-2: Limits - for harmonic current emissions
EN 62471	Photobiological safety of lamps and lamp systems
2002/96/EC	Waste Electrical & Electronic Equipment (WEEE)
2011/65/EU	Restriction of the use of certain Hazardous Substances in EEE (RoHS)
(EC) No 1907/2006	The Registration, Evaluation, Authorisation and Restriction of Chemicals (REACH)