

# WALLWASHER RECESSED



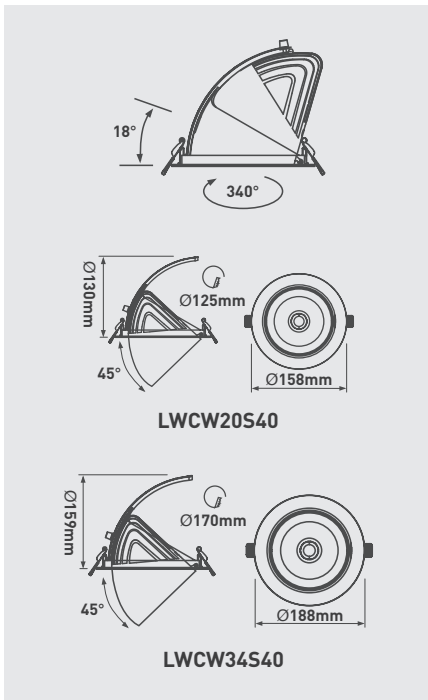
- True CDM-T equivalent lumen outputs
- Energy savings of 40%
- Gimbal with up to 340° adjustment
- LWCW20S40 - 24° lens fitted, 38° lens also supplied
- LWCW34S40 - 40° lens fitted

**4000K**  
NEUTRAL  
WHITE

**35,000**  
HOURS

**WHITE**  
FINISH

CAT NO.	DRIVER	LUMINAIRE LUMENS	WATTAGE	EFFICACY Llm/W	EQUIVALENT WATTAGE
LWCW20S40	Standard	1900	22W	86	35W
LWCW34S40	Standard	3200	38W	84	70W



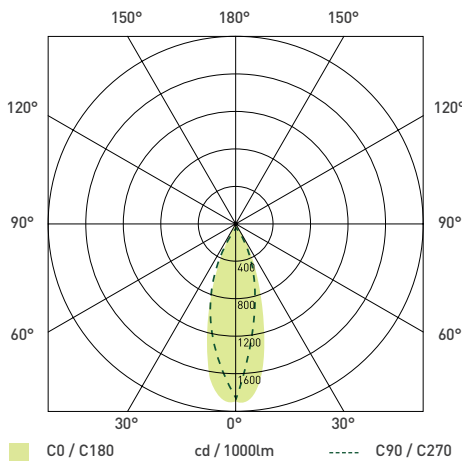
	LENGTH / DIA (mm)	WIDTH (mm)	HEIGHT / DEPTH (mm)	WEIGHT (kg)	L FIXING CENTRES (mm)	W FIXING CENTRES (mm)	CEILING CUTOFF (mm)	LUMINAIRE LUMENS (Llm)	LUMINAIRE WATTAGE (W)	EFFICACY (Llm/W)	CCT (K)	CRI	UGR	IP RATED	IK RATED	GLOW WIRE (°C)	RAL COLOUR	TEMP. RANGE (°C)	RATED LIFE (HR)	AMBIENT TEMP. RATED LIFE (°C)	L AT RATED LIFE	B AT RATED LIFE	VOLTAGE RANGE	FREQUENCY	EMERGENCY PACK CODE	WARRANTY (YEARS)
LWCW20S40	158	-	130	1.1	N/A	N/A	125	1900	22	86	4000	>80	≤20	IP20	N/A	N/A	9016	0 to +30	35,000	25	70	50	220-240V	50hz	N/A	3
LWCW34S40	188	-	159	1.4	N/A	N/A	170	3200	38	84	4000	>80	≤20	IP20	N/A	N/A	9016	0 to +30	35,000	25	70	50	220-240V	50hz	N/A	3

**LWCW20S40-24°**

**LUMINAIRE PERFORMANCE**

Light Output Ratio: 100%  
 Luminaire Efficacy: 80 lm/W  
 Light Distribution: A70 ↓100.0% ↑0.0%  
 CIE Flux Codes: 95 99 100 100 110  
 UGR 4H 8H (20%, 50%, 70%)C0 / C90: 13.5 / 17.4

**LUMINOUS INTENSITY**

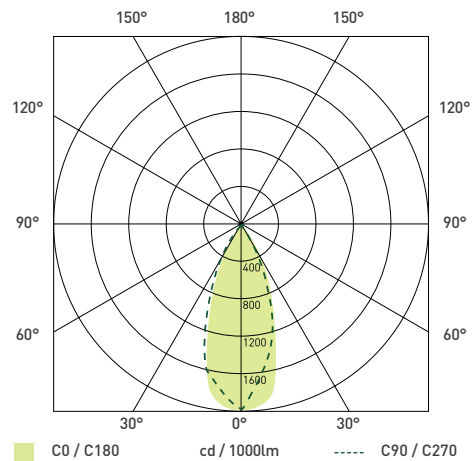


**LWCW34S40-38°**


**LUMINAIRE PERFORMANCE**

Light Output Ratio: 100%  
 Luminaire Efficacy: 83 lm/W  
 Light Distribution: A70 ↓100.0% ↑0.0%  
 CIE Flux Codes: 88 95 99 100 100  
 UGR 4H 8H (20%, 50%, 70%)C0 / C90: 22.2 / 22.1

**LUMINOUS INTENSITY**




**LUCECO**

 This luminaire contains built-in LED lamps.

**A++**  
**A+**  
**A**  
~~**B**~~  
~~**C**~~  
~~**D**~~  
~~**E**~~

} LED

The lamps cannot be changed in the luminaire.

874/2012 

**STANDARDS**

EN 60598-1	Luminaires - General requirements
EN 60598-2-2	Luminaires - Recessed
EN 60598-2-22	Luminaires - Emergency
EN 61347-1	Lamp controlgear - Part 1: General and safety requirements
EN 61347-2-13	Lamp controlgear - Part 2-13 : Particular requirements for d.c. or a.c. supplied electronic controlgear for LED modules
EN 55015	Limits and methods of measurement of radio disturbance characteristics of electrical lighting and similar equipment
EN 61547	Equipment for general lighting purposes - EMC immunity requirements
EN 61000-3-2	Electromagnetic compatibility (EMC) - Part 3-2: Limits - for harmonic current emissions
EN 62471	Photobiological safety of lamps and lamp systems
2002/96/EC	Waste Electrical & Electronic Equipment (WEEE)
2011/65/EU	Restriction of the use of certain Hazardous Substances in EEE (RoHS)
(EC) No 1907/2006	The Registration, Evaluation, Authorisation and Restriction of Chemicals (REACH)